

BOX HOLDER



# Key Peninsula NEWSLETTER

NON-PROFIT ORG  
U.S. POSTAGE  
PAID  
PERMIT NO. 2  
VAUGHN, WA 98394

Circulation 4500

NEWS FROM WAUNA TO LONGBRANCH

FEBRUARY 1984 Volume XI Issue II

## CIVIC CENTER NEW YEAR'S BALL

as told by Claudia Loy

Two hundred local people and their guests celebrated New Year's Eve at the Civic Center's New Year's Ball. Entertainment was provided by Bill Sprague's 15 piece band "Serenade in Blue", with the mellow big band sound of the 40's and 50's. It was the same band that played last year but they have added a lovely girl whose excellent singing added much to the enjoyment of the evening. The New Year's Eve Ball is an annual affair to which all peninsula residents are invited.

Much appreciation is due the organizers: Shirley Olson who handled reservations, the Twilight Dance Club who helped set up and decorate, and the Senior Society who helped serve the buffet consisting of cold cuts, cheese, and a salad bar with a selection of excellent salads furnished by members of the community. Not only was it an enjoyable evening for everyone who attended, but the Civic Center raised approximately \$1,400 for its general fund.

In planning for next year, the Civic Center hopes the same band can be obtained. Many other ideas have been offered, such as encouraging participants to come in an R. V. and park overnight in the parking lot, thus avoiding the need to drive after the party.

## WORK PARTY FEB. 11

The walls in the men's room and also in the ladies's room have been broken through in many places. A firmer wall material has been obtained and will be installed on February 11.

This job requires removal of all the fixtures, putting up the new walls and reinstalling plumbing and lighting fixtures.

Volunteers are needed to form a work party for this job. We need carpenters, plumbers and electricians. If you can help; please contact the Civic Center, 884-3456.

## IT'S OURS, LET'S TAKE CARE OF IT

As citizens we own a number of things in common - public buildings, colleges, roads, fire engines - but few of these are as responsive to the many needs of the Key Peninsula as our Civic Center. For the very young there is day care and youth group meetings; for the elderly, the Senior Program. Those in need, find help at Community Services. For the athlete there is karate, volleyball, aerobics and skating. For amusement there is fun night, square dancing and dance club. For civic and social groups there are meeting rooms and halls that may be rented inexpensively for fund raisers or social events. And for all of us there is the Newsletter. There are few in this community who do not, in some way, benefit from the Civic Center.

For its first 25 years the center was supported entirely by volunteer effort, but in recent years increasing use and rising costs have forced the board to ask for levies to meet its needs. This year we did not approve the levy and the Civic Center is once more dependent on voluntary community support.

The answer is simple enough: get out your checkbook. If you wish to become a "Patron" and have your name listed in the Newsletter, make your check for \$25 (or more, of course). If \$25 is too hard on the budget, any contribution will help. Donations are tax deductible; there's no doubt that this is a non-profit organization. Henry Stock, Don Olson and Neil Boger are collecting for the program, or checks may be mailed to Patronage Program % the Key Peninsula Civic Center, P. O. Box 3, Vaughn, Wa 98493. It's ours, let's take care of it.

BE A CIVIC CENTER PATRON

## WILL THE REAL CIVIC CENTER PLEASE STAND UP

by Russ Beckin

The Civic Center Association is a corporation. As such, it has all the rights and privileges of any other non-profit corporation. The Civic Center officers are the officers of the corporation, and the Civic Center Board is the Board of Directors of the corporation.

Most corporations have a stockholders meeting once a year for election of officers, and sometimes to take up important matters like mergers, or policy changes. The Civic Center Corporation does not sell stock. It has therefore designated all the residents of the Key Peninsula as voting members or "stockholders" for the purposes of its annual meetings.

A corporation is always formed for one specific purpose and that purpose is stated in its charter or in the Articles of Incorporation. The purpose of the Civic Center Corporation is to maintain and operate the Civic Center Facility. However, the facility belongs to the Key Peninsula Park District and the Park District is administered by the Park Commissioners, collectively known as the Park Board. The Civic Center Corporation maintains and operates the Civic Center Facility under a contract with the Park Board, and for the benefit of all the "Stockholders", that is, all the residents of the Key Peninsula.

A corporation is immune to any pressure from its own stockholders provided it does certain things. The first of these is that it must fulfill the purpose for which it was incorporated. Thus, if the Civic Center Corporation did not operate and maintain the Civic Center property, it could be taken to court and forced either to do so, or to "disincorporate" -- to dissolve the corporation.

The second thing that a corporation must do is to refrain from becoming involved in activities which clearly have no bearing on its reason for being. Therefore, the KPCC Corporation could not set up an excursion boat facility at one of the nearby coves.

continued on page 3



RUSS BECKIM, Editor

## AREA REPS NEEDED FOR CIVIC CENTER

AREA REPRESENTATIVES NEEDED FOR THE CIVIC CENTER

At the Civic Center meeting on January 12, Tony Trotter was introduced as the new representative for Lake Holiday. Welcome to the Board, Tony. Representatives are still needed as follows: Vauna, two people; Glencove, two people; Key Center, one person; Horseshoe Lake, one person; and Palmer Lake, two people. If you or someone you know would be willing to join in the community effort to properly maintain and operate the Civic Center, please contact Alice Palmer at 884-3382.

## RENO NIGHT PLANS

Reno night will be April 7. Tom Van Slyke has volunteered to be chairman of the Reno Committee. He is now looking for volunteers to help make the night a success. Some new blood is needed-people who have not previously enjoyed helping in civic functions. For further information, call Tom Van Slyke at 884-3428, or the Civic Center at 884-3456.

## SKIRTS & FLIRTS DANCE CLUB

Skirts-N-Flirts Square Dance Club hosted their annual Mexican Hat Dance on January 21 with lots of delicious taco salad being served along with corn muffins and cake for dessert.

On January 23 we had a surprise going away party for Mike Weavil who reports for Naval bootcamp in San Diego on February 2. We served up homemade clam chowder and a special submarine cake. We wish him all the best in his chosen stint with the submariners.

All square dancers are invited to our dance on February 18. Workshop begins at 8:00 PM with the dance from 8:30-11:30 PM.

## BYLINE OVERSIGHT

In our January issue, we neglected to include the author's name on the article headed "LOOKING BACK." The article was submitted by Henry Stock. Our apologies, Mr. Stock.

## NO BINGO

Bingo Closed February 22nd.

There will be no bingo on Wednesday, February 1st. Bingo will resume on Wednesday, February 8th.

## CIVIC CENTER LISTS PATRONS

The Patronage Program recently adopted by the Civic Center Association as a means of financing the Civic Center in lieu of a tax levy, is already well underway. Under this program, citizens, businesses, or community groups who donate \$25 or more toward the Civic Center will be considered patrons and will be listed each month for a year in the Key Peninsula Newsletter.

Contributors for the Patronage Program are as follows:

### JANUARY

- Burley Feed & Farm Supply
- Crow's Nest
- D.J. Tire Service
- Duane & Margo Fleming
- Key Center Trading Post
- Puget Sound National Bank (Purdy Branch)
- Sakura Nursery
- Henry & Eleanor Stock
- Vaughn Bay Lumber Co., Inc.
- Anonymous Donor
- Vaughn Duplicate Bridge Club

### FEBRUARY

- Earle & Mary Knapp
- The Eatery
- Mary Lloyd
- Zoe Rae Sanders
- H.G. & Arlene Labo
- Edward & Marian Wagner
- Collins Chiropractic Center
- Bo-Mac Gravel Company
- Burton Machined Products
- Colony Real Estate, Inc.
- Macon Bacon
- Stutz Fuel Oil
- Kelma Babcock
- Walt's Fine Foods
- Maxine Robins
- Beulah Kupka
- Dick Knoble
- Key Peninsula Senior Society
- Key Center Tavern
- Valley Supply Co-Op
- Huckleberry Inn
- The garden Shoppe
- Ray & Frances Durward
- Harold Meyer Drug
- Agnes Whitmore
- Hugh McMillan
- Jim Penfield
- Charles & Marian Bash, Key Peninsula Septic Services, Inc.
- C.W. & Murial Burhaus

Contributions may be mailed to Patronage Program C/O Newsletter P.O. Box 3, Vaughn, Wa. 98394, or See page 6 for authorized solicitors

## NEWSLETTER GETS CAMERA

Due to the generosity of Tom Van Slyke, the Newsletter is now in possession of a camera that will allow us to provide identifiable pictures. We think it will make the Newsletter more interesting.

Thanks Tom!



POST OFFICE BOX 3, VAUGHN, WA. 98349  
PHONE: 884-3456

PUBLISHER:  
KEY PENINSULA CIVIC CENTER

STAFF:  
RUSS BECKIM, EDITOR  
(884-4634)  
JUDY JAGGI, OFFICE MANAGER  
(884-2307)  
DICK NOBLE ADVERTISING  
(884-3466)

REPORTING:  
Sylvia Retherford  
(884-2487)  
Pat Greetham  
(884-2500)

FEATURES:  
Cecil Paul            Eleanor Stock  
Hugh McMillan      Marc Cohen  
Janice McMillan    Sylvia Retherford

CONTRIBUTORS:  
Henry Stock          Terry Legg  
Faith Ford            David Till  
Vi Cowan              Julianne Coldeen  
Dr. William Roes

PRODUCTIONS:  
Sally Cornman      Renee Bash  
Joy Lamb             Kay Beck  
Jan Levick            Marion Wagner  
Fran Smith

DISTRIBUTION:  
Chuck McDonald

BOOKEEPING & ACCOUNTING:  
Judy Jaggi            Jackie Higbee

THE OPINIONS EXPRESSED BY INDIVIDUAL COLUMNIST AND WRITERS OF LETTERS TO THE EDITORS ARE THEIR OWN. THEY DO NOT NECESSARILY REFLECT THE VIEWS OF THE KEY PENINSULA CIVIC CENTER OR THE STAFF.

### ADVERTISING RATES

Single Business Card	.....\$8.00
Double Business Card	.....15.00
Triple Business Card	.....22.00
1/4 Page	.....30.00
1/2 Page	.....50.00
3/4 Page	.....70.00
Full Page	.....90.00

# CIVIC CENTER

continued from page 1  
 Neither could it promote motorcycle racing, rodeos, skydiving, etc., etc. If it did any of these things, it could be taken to court and forced to cease and desist. These are clearly outside its purpose for being.

(They can be done by the Park Board.)

By its very nature, a corporation is a private entity, as opposed to a public entity such as a county. Actually, a county is not an entity, but only a political subdivision based on geography. What makes the Civic Center Corporation confusing is that all the residents of a given geographical area have been designated as "stockholders." Thus it looks like a political subdivision, but the articles of incorporation belie that supposition.

All this leads to just one conclusion—those of us who criticize the Civic Center Corporation for operating like a corporation are out of order, for it must be what it is. So, let no one criticize unless he has a better idea. Instead, let us all work together to make life on the Peninsula even better than it is now.

Whatever the problem, the comfort comes from the knowledge that it too shall pass.

# ATHLETIC ASSOCIATION PLANS SEASON

by Christa Beebe

The January 10th meeting of the Key Peninsula Park Board and the Athletic Association was held in the V.P.W. room of the Civic Center.

Among the items discussed was the regular baseball season, which will run from May 10th through July 4th. As in the past, youth activities will take precedence over adult activities.

Also discussed was the fact that the cost per team will have to override the actual cost of using the fields. In the past, maintenance and upkeep has been roughly \$10 per field. This is to replace cinder, drag and line each field before use. Considering all available data and the failure of the M & O levy at the recent election, fees were established as follows:

The fee for field use this season will be \$25 per team, with no teams being exempt from fees this year.

The fee for the Jean Berg Tournament was discussed, and agreed upon, as \$75 per adult team.

Teams wishing to participate in regular season play should have a representative attend the schedule meeting, tentatively set for February 25th. For information about

time and place, call Ann Barbee at 884-3087.

The discussion turned toward lights for the upper two fields. This will allow more playing time for all teams. In the past, even with daylight savings time in effect, the upper fields got too dark for play. Games were then interrupted until the lower fields were cleared to resume play. There is enough money available to purchase lights, poles, and wire but because of budget limitations, volunteer help will be needed to install the additional lighting needed this year.

Remember the parks are here for you. Several requests were made for additional lighting and the money is available. All that is needed is the manpower for the job. If you or your children use the fields, volunteer an hour of your time to get the lighting up before the season begins.

The M & O levy will be resubmitted in the November election. Let's all vote "yes" and keep our parks alive and well!

If you wish to volunteer your time, please contact Ann Barbee at 884-3087. Thank you.

# ANOTHER PATRON

The National Auto Parts in Key Center is donating to the Civic Center 5¢ from each quart of Kendall oil purchased during the month of January and February.

**Give Your MACON BACON GIRL A FINE OR RARE WINE FOR VALENTINES DAY**

**GIVE HIM A SELECTION OF IMPORTED BEERS**

Over 90 Imported Beers and 80 Fine Wines

PROPOSED SITE PLAN

CRAMER ROAD

WISSEY RD

## WHY THE PARK BOARD BUDGET CAN BE CUT

by Russ Beckim

Since we reported in the last issue that the Park Board is cutting its budget from approximately \$60,000 in 1983 to around \$30,000 in 1984, the question has been asked, how can they do that? And if they can do it for one year, why not every year? In an interview with Rod Johnson, the president of the Park Board, your reporter was given the following facts:

For the next year, there will be no improvements in either the Civic Center or the Sports Center. The painting that was planned for the Civic Center buildings will be deferred, as will plans to upgrade the windows to double thermal glass. At the Sports Center, efforts will be made to maintain the fields sufficiently to avoid the need for future large-scale renovation, but the parking area will no longer be swept twice a week, in fact not at all. Also, grass will not be trimmed around the fences as in the past. All maintenance that can be allowed to slide at either center will not be done.

On the revenue side, both areas will increase user fees. The Civic Center Association has already increased its fees

KEY PENINSULA NEWSEETER

as much as the traffic will bear, and the athletic Association is in the process of doing the same. It is predicted that the policy of free use of the field for resident teams will be discontinued, and that Key Peninsula teams will be charged a user fee, although not as much as is charged for "outside teams."

The Park Board is starting out 1984 with about \$30,000. If there is no change in the present situation, they will start out 1985 with zero. To avoid empty coffers, the Park Board has tentatively scheduled a Maintenance and Operation levy to be put before the voters at the November election

## REPORT OF JAN. 5 PARK BOARD MEETING

by Russ Beckim

On behalf of the Board, Rod Johnson, president, welcomed the two newly elected members, Jo Severson and Tom Van Slyke. It was reported that the November election cost the Park District approximately \$768 for its share of election expenses. Much of this was for the Maintenance and Operation Levy, which did not pass. It was agreed to plan a new request for M & O funds at the election in November 1984. It was also agreed that a committee should be formed of interested citizens to campaign for its passage.

FEBRUARY 1984

A joint meeting of the Park Board and the Key Peninsula Athletic Association was agreed upon for the purpose of preparing a contract between them detailing the operation of the Volunteer Park and Sports Center. The KPAA also reported that there must be a new concessionaire at the park since the present one is leaving.

The question of an area for horse activities was brought up. The representatives of the KPAA opposed using land in the park area for this purpose because large numbers of horses together with large numbers of children is a good setup for an accident or injury. This is especially so since there is only the one entrance to the park area. It was decided that three of the park members would approach the County to determine if another piece of land could be obtained without any large expense.

## NEWSLETTER ACQUIRES NEW LIGHT TABLE

The Newsletter staff offers a hearty vote of thanks to Fritz Jaggi for providing an excellent light table for use in assembling the Newsletter. Readers can look for more accurate placement of items and ads in the future.

Thanks, Fritz!



# HOME PORT RESTAURANT & LOUNGE

(Formerly VJ's Country Inn.)

Mon.- Fri. We Have A Lunch & Dinner Special

New Owners - Bill & Babe Worrell

Mon.-Thurs. 7 a.m.-9 p.m. - Fri.-Sat. 7 a.m.-10 p.m.  
Sunday 8 a.m.-9 p.m.

Breakfast, Lunch and Dinner

884-3743



## LOVE BUDS!

SURPRISE YOUR SPECIAL LOVE WITH CUT ROSES OR CARNATIONS. ARRIVING FRIDAY, FEB. 10th JUST IN TIME FOR VALENTINE'S

ARRIVING THIS MONTH BARE ROOT STOCK FRUIT TREES

Jackson & Perkins Roses  
Ornamentals  
Blooming Primroses  
Now in Stock



## SAKURA NURSERY

KEY CENTER 884-3937  
Tues-Sat. - 10-5 p.m.  
Sundays - 11-4 p.m.

# WHY LEVY ELECTIONS?

Evaluation of projected funds available from Washington State and Federal sources, has caused members of the elected Board of Directors of the Peninsula School District to recommend a Levy Election on Tuesday, February 7. Recommended is a two-year Levy. Voters are asked to approve collection of \$2,350,000 in 1985 and \$2,375,000 in 1986. The amounts are needed to provide a strong educational program to meet the needs of the 5,530 Peninsula District students.

## It's NOT a New Tax.

Despite the 1977 state legislative action to "fully fund" basic education, local levies are needed. Reduced state funding and cuts have forced the state to reduce its commitment to "fully fund" basic education. The Feb. 7 levy pays for Peninsula District's share for basic maintenance and operation for the 11 schools.

## What will the Levy Pay for?

Levy money pays for 11% of the district's budget. It pays for: basic education costs not funded by the state; special education, vocational and gifted programs; extracurricular activities; maintenance of facilities; textbooks; inservice staff; energy improvements; classroom equipment; libraries and physical education. The levy is a hold-the-line budget to maintain present programs.

## Levy pays for Transportation.

State funding for bussing has declined from 80% to 65%. Peninsula school busses provide transportation for a 100 sq. mile area daily for students.

## When will Funds be paid?

The 1985 and 1986 levy tax funds are collected on a calendar year. The levy is for two years. Increased property evaluations do not affect the approved levy. The levy tax rate for 1985 is approximately \$1.91 per \$1,000 valuation. For 1986 approximately \$1.85 per \$1,000.

The District has made many cuts, levy failure would mean major reductions in instructional programs and maintenance of school facilities.

## VOTE FEB. 7 for Excellence in Education



**WEAR YOUR BELIEVER BUTTON PROUDLY and receive \$1.00 discount on admission to HARBOR MALL CINEMA, Adults only, on the following dates: Jan. 31 and Feb. 1, 2, 6 and 7.**

Paid Advertising: Believers, Tony Tebeau, Chairman. Vince Tilotta, Treasurer.

## VOLUNTEER INCOME TAX ASSISTANCE

Free tax assistance will be available to taxpayers who are confused about filling out a tax return. VITA assists taxpayers with the Forms 1040A, 1040EZ, and the basic Form 1040.

Taxpayers interested in free tax help should bring their tax package W-2 forms, interest statements, and other pertinent tax documents to the VITA center, which will be at the Key Peninsula Fire District 16, head-quarter station in Key Center every Wednesday beginning on February 8, from 9:00 - 1:00.

## Legislative Update

By Eleanor Stock

Members of Congress, as of January 1, started paying Social Security taxes, under provisions of a law passed last March. This should amount to a contribution of \$2,532.60 out of their salary. However, under the provisions of a separate law, their \$69,800 a year salaries have been increased (as of January 1) to \$72,243, an increase of \$2,500.

All new government employees, in addition to the current members of Congress, were placed within the Social Security System to shore up the shaky system. Under

the law, each employee must pay 6.7% of earned income to Social Security while the government will contribute a "matching" 7%.

Let's look at the figures: a Social Security contribution of \$2,532.60 less the \$2,500 increase in salary means members of congress will actually be paying \$32.60. How much can this support the "shaky system"?

Since the salary increase has received very little publicity, it would be well to let your elected representative(senators and congressmen) know that you are aware of the raise, and that you disapprove of it.

# Save The Civic Center Be A Patron



HENRY STOCK



DON OLSON



NEAL BOGER

ONLY THE ABOVE THREE ARE AUTHORIZED SOLICITORS.  
MAKE CHECKS PAYABLE TO: KEY PENINSULA CIVIC CENTER,  
c/o PATRONAGE PROGRAM (See Page 2 for Details)  
P. O. BOX 3, VAUGHN, WA 98494

## In The Library

by Dory Myers

There are several appealing new magazines in the Key Center Library this year. If you've never read *YANKEE*, you're in for a treat. A publication from and about rural New England, it will warm the hearts of those from New England and those who love country living. One of the feature articles in the January issue, "The Oldest Newspaper Columnist on Earth," is about 100-year-old Ruby Hemenway who has been writing a popular column entitled "I Remember When" for ten years. Another article features a conversation with poet Donald Hall who lives on his family farm in New Hampshire. Still another describes the northeastern Border Patrol and discusses the thorny issue of illegal immigrants. The politics of shrimping and the problems of a diminishing resource are the subject of an article with familiar parallels in the northwest.

Regular columns include questions and answers about practical how-to-do-it problems; genealogical inquiries; recipes; stories and poetry; a calendar for happenings in New England; successful small businesses and crafts; and a centerspread painting.

There's something for everyone in this picturesque and homey magazine.

Biographies published as a result of the Pierce County Library's ALL MY SOMEDAYS oral history program will be on display at the library during the month of February. Many of these personal and historical recollections were written by Peninsula residents.

The Friends of the Library will be discussing the book *SHABONO* by Florinda Donner following their regular 7:30 p.m. meeting, Wednesday February 8, at the library. It is a fictional account by a young anthropologist of her experience living with a native tribe in South America. Bob Dougherty, Instructor of Anthropology at Tacoma Community College, will be at the meeting to discuss Donner's book.

Storytimes for ages 3 to 5 began January 24 at the Key Center Library. They will continue through February 28. Held each Tuesday from 10:30 to 11:00 a.m., the children have an opportunity to listen to stories as part of a group, sing songs, learn finger plays and games, and to meet a puppet.

Library hours are:

Tuesday & Wednesday	1:00-8:30 p.m.
Thursday & Friday	1:00-6:00 p.m.
Saturday	12:00-4:00 p.m.
Sunday & Monday	Closed

Happy Valentine's Day to our long-time friend and advertiser, KEY WESTERN BUILDING CENTER.

The Staff

Fabrics • Notions • Yarns • Books • Crafts



**Sherman's  
of  
Lakebay**

307 KPN  
LAKEBAY, WA 98349

BETTE J. SHERMAN  
(206) 884-2454

There is no supernatural; there is only the natural and the unnatural. The natural is always good, the unnatural never is.

## 9's FAIR HARBOR MARINA



OPEN

7 to 5 Sun.  
7 to 7 Daily

CLOSED Wednesday

VISIT OUR FLOATING STORE

- \* MINI GROCERY
- \* BEER
- \* WINE
- \* GIFTS AND T-SHIRTS
- \* HATS
- \* FISHING SUPPLIES
- \* FROZEN STEAKS & GROUND

GOOBUCK

SPECIAL: GOEDUCKS LIVE

\$1.00 lb.

Bus.: 426-4028

Res.: 275-6417

Grapeview, Wn.





## COMPLETE INCOME TAX SERVICE

**1040, 1040X, 1040 EZ**  
**Small Business**  
**Computerized**

**Income Averaging**  
**Farms**  
**Partnerships**

**Tax Planning**

**FREE Pick-up and Delivery**

**FREE 15 minute Consultation**

**Quick, Reliable, Convenient, Local**

**6706 Key Peninsula Hwy So.**

**Phone 884-3862 Anytime**

## MASTER PLAN FOR SCHOOLS

by Sylvia Retherford

About twice a month a group of Key Peninsula residents assemble to work on a master plan for improvement of the educational process at Evergreen Elementary School. Team facilitators Judy Cleghorn and Delores Jensen, teachers at Evergreen; and Jeanne Sagle, a parent, provide the leadership. The facilitators and the local planning team met at the school on January 4 and 18. The two February meetings, one on the 8th and one to be announced, will complete the preparatory phase of the program. On February 15 the facilitators will attend another training session in preparation for Phase II, in which the actual plans will be drawn.

Each planning team is made up of students, parents, business persons and educators. Evergreen's planning team members are: Bob Keppler, Elaine Williams, Nancy Lind, Judy Greinke, Susan Ritchie, Crista Ritchie, Jeanette Thompson, Terry Moore, Al Taylor, Cheryl Skolman, Mike Emmons, Maxine Wilson, Pam Marra, Paul Stout, Travis Gechan, Al Carlson, David Ellingson, and Sylvia Retherford.

The goal of this on-going conference is greater involvement of the community to help identify and direct improvements toward the pursuit of excellence in the education of our children. Each planning

team member has requested five of his acquaintances to be cooperators, responding with opinions and input of innovative ideas. With 18 planning team members, each contacting five pyramid cooperators, the input of 108 community members is brought to bear.

All 11 Peninsula schools sent teams of parents, teachers and principals to facilitator training sessions at Key Peninsula High School. Dr. Gary Phillips of Indiana University, Director of the School Improvement Project, coordinated the background preparation of facilitators. Methods used in the School Improvement Process (SIP) were developed over 30 years of research by the Kettering Foundation Institute for Development of Educational Activities funded by the Lilly Endowment and the Kettering Foundation.

The first year of the program will cost the Peninsula School District \$15,000 but on the five year plan, succeeding years should be less. The money pays for training of the facilitators for each of the 11 schools, for printed materials and for teacher substitutes when necessary. Facilitators and planning team members volunteer two evenings a month.

## SPORTSMANS CLUB

Feb 4 Card Party 7:30 pm  
 Feb 9 Dinner Meeting 6:30 pm  
 Feb 19 Social Sunday 1:00 pm  
 Feb 24 Potluck Dinner & Fun Nite  
 6:30 pm

## LAKE HOLIDAY NEWS

by Barbara Trotter

### JANUARY BOARD MEETING.

The increased attendance by members at the January 4 meeting of the Lake Holiday Board of Directors reflects an increasing spirit of involvement in the community. The Board announced the acquisition and planned installation of a new electronic monitoring system which will allow more efficient usage of our water pumps and provide protection from tampering. Members were reminded that their responsibility for their guests included financial responsibility for any guest-caused damage. The Board also repeated the suggestion that, in case of power outage, members should contact the power company, conserve water and turn off their water heaters.

### ANNUAL MEETING: FEBRUARY 18.

The annual meeting of Lake Holiday Association will be held at the Clubhouse on February 18, 1984. Members are encouraged to plan now to attend that meeting. The projects being planned for in next year's budget will be adopted or rejected at that meeting. Also, two positions on the Board will be up for election. Your vote is important in helping to guide Lake Holiday's future.

THANKS MICHELLE! Contrary to earlier reports, the Lake Holiday cont'd on page 8



Pogo, our favorite comic strip 'possum' said, "We have met the enemy and he is us."

That vicious northeast December wind with chill factor way below zero will be long remembered. Here at 10th and C St. in Home, we not only faced the full force of the wind, we were without power for about 16 hours, except for very short intervals. It is those intervals that this is about and where Pogo's famous statement fits the situation. When the power fails, especially during freezing weather, we are the enemy, just as Pogo said.

No electrical system is engineered to carry every electrical appliance that may be connected to it at the same time. It is presumed that the loads will be staggered, that is, not all on at the same time. Maybe my heat is on while your's is off, so the lines are not usually overloaded. Freezing weather, with a feeder line failure, changes the picture.

Whenever our electrified homes are without power, even for a short time, the house cools, the thermostats go "ON" and stay on until the house is warm again, or we turn them, (the thermostats) down or off. If the power stays off longer, all the water heaters also go "on."

Now we are set for a long, long outage. AND IT IS OUR FAULT. Maybe not yours, maybe you know better, but too many people either do not understand or, like myself, get lazy

and do not do the simple things WE CAN DO TO GET THE POWER TO STAY ON WHEN IT DOES COME BACK. IT IS EASY.

When the power goes off, especially in extreme weather, we should immediately turn off all the heavy electrical loads. These loads are:  
 1. Heat pulls gobs of power. TURN IT OFF.  
 2. Water heaters are big power eaters. Turn them off, and LEAVE THEM OFF UNTIL THE LAST THING. Water stays hot a long time. We can wait a while for that bath.  
 3. Turn off any big cooking loads, such as an oven. They pull lots of power.  
 4. Don't forget the clothes dryer. Turn it off if it was running when the power went off. For protection against low voltage and "power spikes," it is good to turn off motor things like refrigerators, also T.V. sets.

Now we have made it possible for the power people to put power back into our lines, but our job is not finished, it is just started. (One or two lights on will tell us when the power is back.)

DO NOT TURN EVERYTHING BACK ON RIGHT AWAY!! This is extremely important. Can we get along with heat in just one room for an hour? Can we heat a teakettle to wash our hands, instead of turning on that 4000-watt water heater? Let the clothes lie in the dryer for awhile instead of turning on that power-eating machine. Wait as long as possible before putting any heavy load back on the line. For all our sakes, please.

Local residents here walked the local power lines, found the outage and reported it in full detail to the light company. We had power within 30 minutes! Because the power people DID NOT HAVE TO HUNT FOR THE PROBLEM. A circuit breaker had opened because we had the line overloaded when they attempted to return our power several hours before. Finding the problem saved them some time but it would have been better to have prevented it in the first place.

So the next time the power goes off let's remember little 'ole Pogo. "We have met the enemy and he is us."

Question:  
 What restaurant serves a BLT (Bacon Lettuce & Tomato) sandwich with 4 yes four slices of thick bacon? Answer on page 24.

**BeSt CONSTRUCTION**  
 complete backhoe service

side sewers BEST C 173-CA  
 Bruce Stiner 857-2554 Lanny Bergrad 862-0583

cont'd from page 7  
 New Year's Eve Party was the product of Michelle Flintoff's almost single-handed, always tireless, efforts. Thanks for a wonderful party!  
 NOTES FROM ACC. The Architectural Control Committee is continuing to develop it's Block groups, which will assist the committee in carrying out it's various activities. The committee will begin this month to enforce the rule regarding display of signs in the community. The covenants regarding land use provide that no sign shall be displayed without prior written consent of the committee.

**GEORGE ZIMMER**

George W. Zimmer, 79, of Gig Harbor, died on December 31, 1983. Born in New Zealand, Zimmer lived in Port Angeles for 25 years before moving to Gig Harbor 14 years ago. He worked for the Clallam County Highway Department. He was a member of Vaughn Community Church and a former member of the Port Angeles Eagles Lodge. Surviving Zimmer are his wife, Edna; sons, Donald of Seattle, Howard of Okanogan, Mike of Port Angeles and Don Schmidt of Fircrest; daughters, Mary Granberg of Butte, Montana, Gladys Clark of Bakersfield, California, Pauline Smith of Seattle and Patricia Peoroso of Bonney Lake; brother, Edwin of New Zealand; sisters, Alvaretta Harvey and Elma Johnson of New Zealand and Nell Sutter of Port Angeles; 32 grandchildren and nine great-grandchildren. Remembrances may be sent to Hospice of Tacoma.

**VALENTINES**  
 (and other cards)

**GIFTS**

Art & Craft Supplies

Baskets and Flowers

**The Country Mouse**  
 In the red barn south of Key Center  
 884-2662 10-6 Tues. thru Sun.

**Longbranch Self-Storage**

(1/2 Mile North of Longbranch Mercantile on the left.)

- LOCKERS 3 x 5 & 5 x 10
- GARAGE SPACE 10 x 15 & 10 x 24
- COMMERCIAL STORAGE 20 x 20

ON-SITE MANAGER (Guard Dog On Duty)

BOAT STORAGE NEAR 3 PUBLIC RAMPS

RT. 2 BOX 425 LONGBRANCH, WA 98351 PHONE (206) 884-4466

ON SITE MANAGER 884-4466

**BOAT DRY STORAGE**  
 Commercial Size Garages (20 x 20)

WEEKDAY EVENINGS 6-9  
 WEEKENDS 9-6  
 CLOSED MONDAY AND WEDNESDAY



# HEALTH CENTER HAPPENINGS

by Dr. Roes

## PRESENTATION OF RESPITE CARE SCHEDULED

Over the past few months we've been talking about a project the Health Center has been planning for senior citizens. If you are interested in helping others and have a few extra hours a week, on February 23 at 7:30 pm you'll get a chance to help us help the community.

A day care program for the elderly infirm is being organized at the Key Peninsula Health Center. Its purpose will be to assist families who need a safe and comfortable environment to leave an older person on a regular or intermittent basis.

These frail or handicapped individuals need caring people to watch over them during this respite time for their families. This can be a special time for them as well to socialize, participate in planned activities and maintain certain aspects of daily living. The key to this program will be the volunteer support people. It is a real "neighbor helping neighbor" project.

If you are interested in this project or would like to find out how it works in other communities, there will be a presentation on Respite Care at the Health Center on Feb 23, at 7:30 pm, by Kathy Frances, who has established similar programs in the Federal Way and Seattle areas. For more information call Dean Shriner at 884-9221.

We would also like to remind the community of other services available at the Center. One of our concerns is care of the abused or battered child, and special funds are available for this from the Angel Guild. A counselor specializing in this type of therapy, Tara Hollander, will be here on Tuesday afternoons. Tara works through Comprehensive Mental Health in Tacoma and has done extensive work with physically, sexually and mentally abused children. If you have any questions in this area, please call us at the Center.

## KP HOMEMAKERS

Tired of the same old thing for dinner? A demonstration of Mexican cooking will be shown at the February 13th meeting of the Key Peninsula Home-maker's Extension Club. The meeting will be at Diane Wright's home at 7 pm. Phone 851-4116 for information and directions. Come make friends, meet your neighbors and enjoy some fantastic food.

## CHEMICAL PEOPLE

YOU ARE INVITED

What: Town Meeting "The Chemical People"

Where: Civic Center

When: February 2 at 7:30 pm

Program: Films "The Chemical People" plus panel and audience question and answer period

Panel members are:

- Moderator: Don Hornbeck
- A Sheriff's Deputy
- School Counselor: Marsha Williams PHS
- Pharmacist: Don Zimmerman
- Drug & Alcohol Counselor: Rick Kendis
- Parent: Judy Craig
- 2 Students representing PHS
- 2 Students representing KPMS

Why: To try to break the vicious circle of alcohol and drug use among our children.

BE THERE! SHOW YOU CARE!

## VAUGHN GARDEN CLUB NEWS

Members of the Vaughn Garden Club will meet Wednesday, February 15th, at the home of Kelly Babcock. Co-hostesses will be Sue Thomsen and Helen Heim.

Dale Loy will demonstrate basket making using pine needles.

Cars will leave the Civic Center at 10:15, so come and bring your sandwich.

FREE MOUNTING
ON TIRES SOLD
FREE FLAT REPAIR



**DJ'S**  
TIRE SERVICE

Highway 302  
12119 Key Peninsula Hwy.  
Gig Harbor, WA 98335

**851-4606**

Open: 8 a.m.-5:30 p.m. Mon.-Fri.  
9 a.m.-4:00 p.m. Saturday



**Full Time Mechanic**  
**WHY CROSS THE BRIDGE?**



**RIKEN CLASSIC STEELBELTED RADIALS**

One of the finest all-season tires on the market. 40,000 mile guarantee with full road hazard plus free flat repairs.

"Call us for a quote, we hold our own in the price competitions."

**Tires • Engine tune-up**  
**Brakes • Front end alignment**  
**Shocks • Batteries**

**STUD TIRES LEGAL FROM NOV. 1st TO END OF MARCH.**




ON PASSENGER CARS
FREE TIRE REBALANCE
ON TIRES SOLD

The Peninsula Has  
*The Alternative*  
to Busy Hospital  
Emergency Departments. . .

**Here's What You'll Find at the Familycare Medicenter**

- 7 Day a Week Service (even holidays)
- No Need for Appointments (just come in)
- A Doctor Always at the Medicenter
- X-Ray 60 Lab Studies Provided

We provide *Immediate Attention* for Emergencies, On-the-Job Injuries, and General Health Care.

OPEN every day, 365 days a year  
9 am to 9 pm Monday thru Saturdays,  
11 am to 7 pm Sundays



**Convenient Health Care for the Peninsula**



**Familycare Medicenter**  
OF GIG HARBOR  
851-8182  
THE WOODS/BUILDING E  
8955 KIMBALL DRIVE

(A Local) Owned Medical Service

Member  National Association of Free-standing Emergency Centers.

# PLANTING A NEW FOREST

by Terry Legg

The success of your planting will depend primarily on how the seedlings are handled before you get them in the ground.

### STORAGE:

Store the bags/trees in a cold moist area with ample air circulation. The ideal temperature is about 34° F, but anything above freezing and below 40° F is okay. The higher the temperature and length of time stored, the greater the risk that the trees will already be dead before you plant them.

### GROUND PREPARATION:

By far the most critical element over the next two years for your newly planted seedlings will be water. Established vegetation will compete with the seedlings for moisture. Grass is especially effective in robbing all the moisture from the ground. Indeed, grass has the natural ability to "die" (turn brown) during a drought and to come back as healthy as ever as soon as water again becomes available. A Douglas-fir cannot "shut down" like this and merely dries up and dies. Consequently, the ground around the seedling should be fairly free of vegetation for about a 10-inch radius. Remember, too much slash will encourage the kinds of critters (mountain beaver and rabbits) that like to eat young trees.

### SPACING:

The accepted spacing for general planting is 8 X 8 feet, although for some purposes wider spacing has proven to give an adequate stocking.

In Christmas tree plantations, more complete utilization of the area will be accomplished by 5 X 5 foot spacing, especially if a thinning cut is planned.

The following tables may assist you in determining proper quantities of trees per acre.

Spacing between trees	
Approximate number per acre	
5 X 5 . . . . .	1,742
6 X 6 . . . . .	1,200
6 X 8 . . . . .	910
8 X 8 . . . . .	680
10 X 10 . . . . .	430
12 X 12 . . . . .	300

### PLANTING:

Make sure that the roots stay moist until the seedling is safely in the ground. Take only enough trees out of the bundle for about 3 or 4 hours of planting. Trees should be carried in a pail or planting bag filled with moist burlap, sawdust, or moss. Any roots that are allowed to dry out can be considered dead. The hair sized roots are the most important to the tree in providing water; if too many of these dry out, the seedling will have a difficult time making it through the summer. Only one tree at a time can be planted, so only remove one at a time from the container.

Plant the trees to a point approximately halfway between the first branch on the stem and the point where the roots start to divide. Make sure all roots are in the ground and pointed downward. Spread the roots like a fan to

enable the tree to get as much water from the soil as possible. Soil should be packed firmly around the roots. If possible, plant the trees on the shade side (north) of stumps, logs, or small brush clumps. The planting hoe and planting bar are satisfactory for planting small seedlings (up to 18 inches); but use a shovel or planting spade for large trees. The tool shown in the illustrations is a planting hoe with about a 12-inch blade.

## COMING Feb. 12 - 16

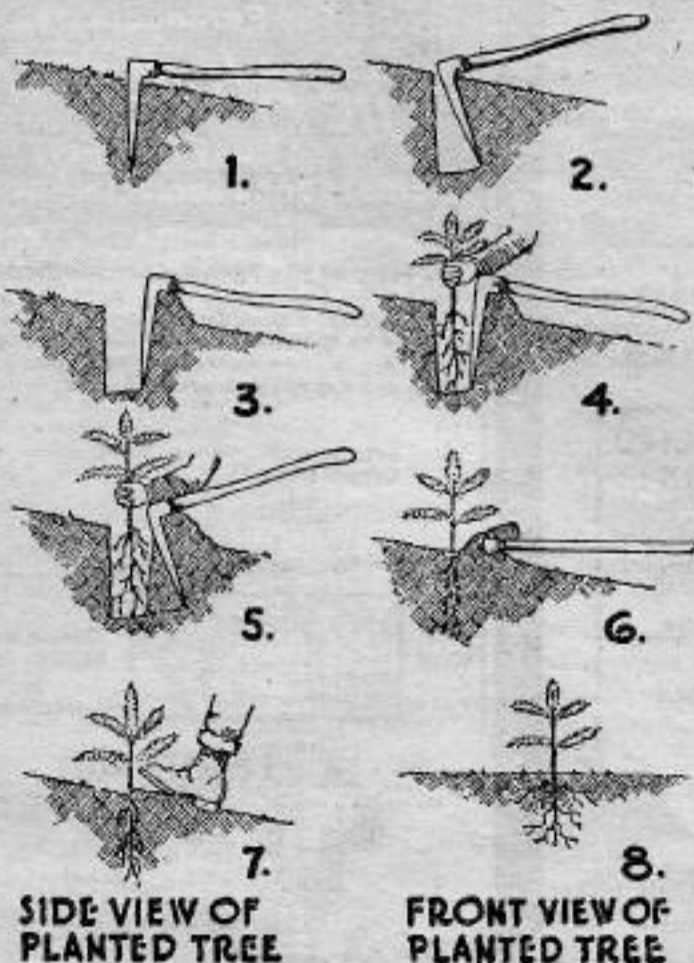
7 p.m. Each Night  
Key Peninsula Library Conference Room

### 5-DAY PLAN TO STOP SMOKING

The Second Most Successful  
Plan to Stop Smoking in America  
AND It Is FREE!!  
Please call to reserve  
program material . . . and a seat.

Neal Boger  
884-2554

## EIGHT STEPS IN TREE PLANTING



Thank you for your patronage and a Happy New Year.  
Key Peninsula

\$5.00  
Off Air  
Clean & Oil.

\$7.00 Off  
Any Repair  
over \$30.00.

### SWEETHEART SPECIAL

COUPON

FREE estimates always!

## KEY PENINSULA TYPEWRITER

884-4437

Just up the road (North) from  
Winter Creek Auto Body Works

14415 WRIGHT BLISS RD.  
GIG HARBOR

# ALL ABOARD FOR THE KING SIZE SAVINGS EXPRESS

**CAROL**  
Quality you can trust.

While Supplies Last

**PREMIUM QUALITY BOOSTER CABLE**  
For the fastest and most reliable starts.

SAVE NOW!



SAVE MONEY **\$8.99**

TANGLE-PROOF 5 - ALLIGATOR CLAMPS 10 GAUGE

## HOME LITE CHAIN SAWS

	Super XL Price	Sale
Super 2	209.95	165.00
150	249.95	195.00
240	239.95	165.00
245	320.95	239.00
330	369.95	289.00
410	588.95	450.00
	409.95	339.00

**CAROL**  
a division of AVNET, Inc.

Don't get caught with a dead battery

4 FOOT **BOOSTER CABLE**



**\$3.99**

Built to provide years of dependable service. Clamps fit both top post and side terminal batteries. 10 gauge copper conductors. Copper coated clamps.



**.87¢**

4 WASHCLOTH

Revere

**SPECIAL**

REGULAR RETAIL \$1.59

4 PACK BANDED WASHCLOTHS. Choose from an array of solid colors. Each Pack is banded 2 colors per band.

**Anchor Hocking**  
**24 pc. Beverage Set**

8 Beverage, 12.5 oz.  
8 Juice, 5 oz.  
8 Beverage, 8 oz.  
Regularly \$20.13

**NOW ONLY \$13.95**

CLOSEOUT SALE: PARKER PAINT.  
SELLING AT COST WHILE STOCK LASTS.

**Woodlife**  
WOOD PRESERVATIVE

True Penetrating Water Repellent Wood Preservative

**Only \$6.66**

1 Gallon Can

WE HONOR BANK CARDS



SUBJECT TO STOCK ON HAND



OPEN MONDAY-SATURDAY  
HOURS 8:00 a.m.-5 p.m.

**KEY WESTERN BUILDING CENTER**  
KEY CENTER 884-2311



**Lost? Undecided? Need Help?  
Find a Solution - Take a Test**

- Vocational Interest
- Aptitude
- Intelligence
- Personality

**FREE 15 minute Consultation**

**Know your potential!  
Get a handle on yourself!**

**CONTACT**

**Professional Counseling Service**

**884-2951**

— Certified Vocational Rehabilitation Counselor

A responsible driver is one who has more than one option when something unexpected occurs. He is response-able, that is, able to respond in an appropriate and effective manner.

A speeding driver is not a responsible driver. He generally has only one option -- to grip the wheel and slam into whatever obstruction has appeared, be it a child or a bulldozer, or something between.



Dr. Robert L. Ries, Purdy Veterinary Hospital, explains pet care to Vincent Tilotta, Purdy Branch Manager.

**"Puget Sound National Bank  
is wonderful for newcomers,"**

**States Robert L. Ries, DVM**

"Since purchasing the Purdy Veterinary Hospital in November, I have found the Puget Sound National Bank people courteous and knowledgeable. It's a good place to bank," says Dr. Ries.

Dr. Ries, a graduate of Washington State University, practiced veterinary medicine in Federal Way before moving to Purdy. His practice is caring for small animals.

Newcomers are welcome at the Purdy Branch. They take pride in helping newcomers become acquainted with the community and advising them in financial affairs. It's a local bank interested in the community they serve.

**Everything you want  
a bank to be.**



**Puget Sound National Bank**

Gig Harbor Point Fosdick Purdy

Member FDIC and Peninsula County

**PUGET RENTALS  
AND SALES**



**VIDEO**

**COMING!**

VHS VIDEO TAPE MOTION PICTURES

VHS BLANK TAPES AND ACCESORIES

**Tootsie**

*The Care Bears in the  
Land Without Feelings*

**DEAL  
OF THE  
CENTURY**

6707 1/2 Tyeo Drive  
Gig Harbor, WA 98335  
(Next to Purdy Bridge).

**851-4468**

**NEVER SAY  
NEVER AGAIN**

**MR. MOM**

**OUR CREDIT UNION — AN UPDATE**

by Neal Boger

One month has passed since the first article introducing the community credit union idea. Since that time, several Key Peninsula constituents have called or written offering help on a study group. Many more have indicated interest and are anticipating the successful establishment of the credit union.

Part of the organizational procedure is to survey the community to establish a more realistic view of need and potential commitment. The following form may be filled out and dropped off at Minter Veterinary Clinic, Key Western Building Center, Huckleberry Inn, or Home Port Restaurant. Or mail them to 16418 Olson Dr., KPN, Gig Harbor, Wa 98335.

A good return on these survey forms is vital. The statistics collected from the survey will play an important role in the granting of credit union charter.

Please understand that these surveys, while being confidential, are not commitments of funds to which anyone will later be held! The responses will help the study group prove that there is a sufficient potential deposit base on our Peninsula to warrant the formation of a community credit union.

The sooner we receive these survey forms the sooner we will be able to complete the formalities for charter.

Thank you so very much for your cooperation and support. The Key Peninsula Federal Credit Union (KPFUCU) will soon be a reality ... with your help. Please submit this portion

NAME \_\_\_\_\_  
 ADDRESS \_\_\_\_\_  
 PHONE \_\_\_\_\_ OCCUPATION \_\_\_\_\_  
 Years of Residence Key Peninsula \_\_\_\_\_  
 PLEASE CHECK: Are you currently \_\_\_\_\_ formerly \_\_\_\_\_ a  
 member of a credit union? Will you seek membership  
 in the new Key Peninsula Federal Credit Union  
 (yes) \_\_\_\_\_ (no) \_\_\_\_\_  
 Approximate amount of initial deposit. (For eval-  
 uation purposes only. This is NON-COMMITAL !!)  
 \$25 \_\_\_\_\_ \$50 \_\_\_\_\_, \$100-\$500 \_\_\_\_\_ \$500-\$1,000 \_\_\_\_\_,  
 \$1,000- \$5,000 \_\_\_\_\_, Over \$5,000 \_\_\_\_\_.

INTEREST RESPONSE & INFORMATION - Neal Boger 884-2554.



## Specializing in Commercial & Industrial

Call 884-3183 Days or 884-4724 Eves.

- NEW CONSTRUCTION
- RESIDENTIAL
- CONDOMINIUMS
- APARTMENTS
- REMODEL

P.O. Box 40, Vaughn, WA 98394  
Next to Charlie's Saw & Mowers in Key Center

David S. Otterson  
Administrator

• FREE ESTIMATES

Contractor License No.  
OLYMPE1 188BN

# CHARLIE'S SAW & MOWER

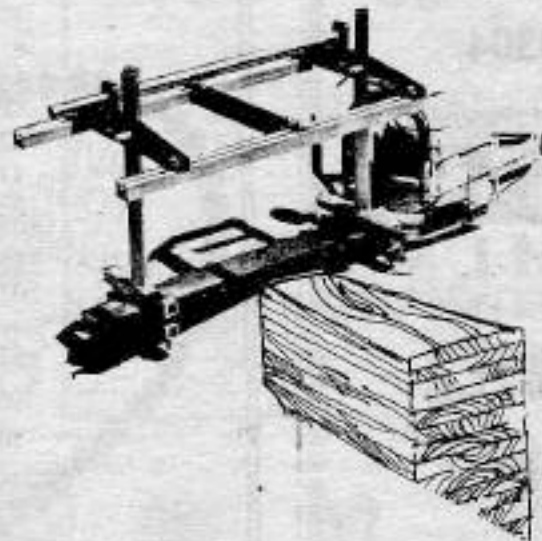
Authorized Briggs & Stratton  
Service Center  
Honda  
Tecumseh

**ALASKAN SAW MILL**  
Cut Your Own Lumber  
Call to See **FREE**  
Demonstration

*CHECK OUT  
OUR RENTALS*

*Dealers For :*

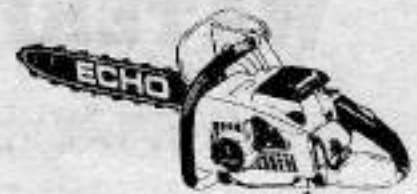
ECHO  
SACHS-DOLMAR  
GILSON  
McCULLOCH



LADDERS  
LAWN MOWERS  
ROTOTILLERS  
HAND TOOLS  
CHAIN SAWS  
&  
ALASKA SAW MILL

*Complete Mower &  
Small Engine Repair  
Chain Saw Repair  
Rental Equipment*

**EQUIPMENT REPAIR**  
**SAW BLADE SHARPENING**



**884-3183**

Mon. - Sat., 9 a.m. to 6 p.m. — Sun., 1:30 p.m.

1 Mile North of Key Center on Hwy. 302

# K.C.



# CORRAL

**COLLINS** **KEY CENTER**

**CHIROPRACTIC**

**ENTER**

**OPEN 1 DAY A WEEK**

DR. N. J. COLLINS  
DR. S. A. RUSS

**884-3040**

**KEY CENTER FAMILY DENTISTRY**  
Call for Appt.  
884-9455

**Now Taking Appointments for Sat.**  
Special Consideration for Seniors  
Insurance Plans Accepted  
D.S.H.S Welcome  
Teddy Bear Club for kids  
Nitrous Oxide & Stereo Headphones

12 11 JAN 77

**WE CATER TO COWARDS**

**884-3304**  
TACOMA 272-6996

**COLONY MLS**  
Real Estate Inc.

**K. C. CORRAL, KEY CENTER LAND, HOMES FARMS, AND WATERFRONT**

For your Real Estate needs call any of the below listed agents.

Chuck Hayward, 884-3864  
Joyce Tovey, 884-3878  
Richard Raschle 884-3798  
Maryann Borchers 884-2438  
Jean Gazabat 857-4667

**GIVE YOUR VALENTINE A PERMANENT FEB. SPECIAL GIFT CERTIFICATES**  
Regular \$38.00  
NOW **\$30.00**

**WEDNESDAY NIGHT FOR MEN ONLY**  
• HAIRCUTS  
• PERMS  
• COLORS WE DO THEM!

**Sylvia's 'Staches 'N' Lashes Beauty Shop**

QUALITY HAIR CARE FOR MEN, WOMEN & CHILDREN

- PERMS - A SPECIALTY
- BLOW DRY CUTS & COLORING
- 10% SENIOR CITIZEN DISCOUNT
- 3 OPERATORS TO SERVE YOU

MON-SAT 9-5  
WED & THURS EVENING BY APPOINTMENT.

**884-2479**  
K-C CORRAL KEY CENTER

★ ★ ★  
**KEY PENINSULA**  
*Septic* **SERVICES, Inc**  
 ★ ★ ★

**For Septic System Service Call:**  
**884-9300**

**SENIOR CITIZEN DISCOUNT ON PUMPING SERVICE**

For Trouble Free Operation, Septic Tanks Should Be Pumped Every 2 - 5 Years Depending on Family Size.

*We are as close as your telephone.*  
 Charles W. Bash and Dennis W. Bash  
 P. O. Box 218, Vaughn, WA 98394









# THE BURLEY FEED

and

# FARM SUPPLY

at

## KEY CENTER

### 884-4356

**HOURS:**  
 Monday thru Friday 8:30-6:00  
 Saturday 8:30-6:30  
 Sunday 10:00-4:00

**OPEN SEVEN DAYS A WEEK TO SERVE YOU.**

**IT'S TIME TO THINK ABOUT GARDEN SEEDS, POTS, POTTING SOIL, & ETC.**

**QUALITY ALFALFA 2nd CUT**  
**\$135<sup>00</sup> TON**

**SPECIAL TON PRICES and QUANTITY DISCOUNTS**  
 We Deliver








**COMMUNITY CLASSES**

Isn't anyone on Key Peninsula interested in taking a fun class or two in the evening? Our school district offers a wide variety of fun and/or informative classes for the community. These classes are all being offered on the other side of the Purdy bridge. Our school district spokesman, Lois Sweany, has informed me that they can and will offer classes out here if we have sufficient interest. That means enough people to fill the classes and enough teachers to teach them.

We have a beautiful new middle school with a well equipped computer room, photography room, wood and metal shop, home economics room, art room, and gym. If you would be interested in taking or teaching a class in computers, Chinese cooking, pottery, batiks, sewing, photography, woodshop, etc. then PLEASE call Lois Sweany at Peninsula schools 884-4660 or 857-6171, ext 222, or fill in the form below and mail it to Lois Sweany Community Education, 4905 Rosedale N.W., Gig Harbor 98335.

Don't wait. Spring classes are being planned NOW.

Name: \_\_\_\_\_

Address: \_\_\_\_\_

Phone: \_\_\_\_\_

Age: \_\_\_\_\_

I would be interested in taking a community education class at the Key Peninsula Middle School. My interests are:

\_\_\_\_\_

I would be willing to teach a class.

I am qualified to teach.

\_\_\_\_\_

**SAVE THE DAY**

Saturday, March 10th, the Key Peninsula will have a benefit spaghetti dinner at the Civic Center in Vaughn. Dinner will be served from 5:00-7:00 p.m.. The fee will be \$3.75 for adults and \$2.00 for children. There will be entertainment and door prizes. Reserve that date.

Most of the money raised will be to aid a recent heart attack victim and his family-one of our own.

### WALT'S FINE FOODS

### AL'S MEATS

Look for Weekly In-store Specials

FRESH PRODUCE

QUALITY MEATS

In Downtown Key Center

884-3325

dump truck  
backhoe  
grader  
blade

### GRADER SERVICES

884-2271



top soil  
road gravel  
rockery rock  
crushed rock

PHIL RADCLIFFE  
route 1, box 95c  
lakebay, wa 98349

## Longbranch Automotive Center

AUTO REPAIR JERRY HANSEN  
+ DOMESTIC Longbranch, WA.  
+ FOREIGN South of the Church  
(206) 884-3272

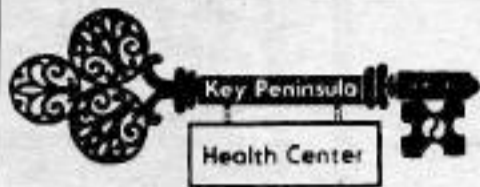
### HOME FEED & GROCERY

9-9 Weekdays 10-7 Sundays

884-2321

Featuring "Choice Beef"  
Fresh Produce  
Fishers Feed  
Friendly Service

884-2321



Hours: Mon-Fri 9-5  
Wed 9-8  
Sat 9-1  
Services: Xray - Lab  
Well Child Clinic  
Counselings  
Senior Assistance  
New Phone# starting 8/15/83- 884-9221

### PETE'S AUTO REPAIR



FREE PICK-UP & DELIVERY ON THE KEY PENINSULA

"WHERE SATISFACTION IS A MUST"

OPEN - MON. THRU FRI. - 8 TO 5

LAKEBAY 884-3124

Call for app'ts after 6 p.m.

### DORI RICHARDS

OFFERS CLASSES IN

Oil Painting with Palette Knife

Tuesday afternoon & evening

206th Ave Court KPN 884-4822

### Lucile's Barber Shop

Hours: Tuesday thru Saturday 9 a.m. to 6 p.m.

One short mile south of Rocky Bay Health Care Center on Hwy. 302 going to Shelton

884-3732

## WINTER CREEK

Jerry McCole  
Gary Moody

auto body works

13020 Wright Bliss Rd. 206-884-4458  
Gig Harbor, WA

Classic Restoration—Collision Repair—Frame Repair

### Peninsula Accounting Associates

5209 Pt. Fosdick Rd., Suite 203  
MAIL: P.O. Box 676  
Gig Harbor, WA 98335

JOHN E. MILLER  
WALTER E. PALLSEN

Office: 858-8852  
or 858-8168

858-6066 (SHOP)



### LARRY NICHOLS

Upholstery

COMPLETE FURNITURE REUPHOLSTERING  
BOAT TOPS

NOW LOCATED IN GIG HARBOR

Bus.: 858-2690 Res.: 884-3555

Harbor Furnace Maintenance SERVICE - INSTALLATION

P. O. BOX 3  
Tom Williams GIG HARBOR, WA, 98335

### TOM'S BARBER & TACKLE SHOP

OPEN 10 - 5:00 P.M. Key Center  
TUES. THRU SAT.



KEY CENTER MEATS  
"WE'D LOVE TO MEAT YOU"

TIM CHAMBLIN  
GENERAL MANAGER

DOWNTOWN KEY CENTER 884-4334  
10329 PACIFIC AVE., TACOMA 535-2422

DUANE G. FLEMING  
**Cascade Insurance Underwriters, Inc.**

2200 6TH AVENUE • TACOMA, WASHINGTON 98402

AC 206/627-3133  
Residence 884-3340

### We do Alterations



We also replace zippers

7110 6th Ave., Tacoma

564-6471



### BELFAIR FLEA MARKET

(Next door to Belfair Thriftway)  
OPEN EVERY WEEKEND  
SAT. 9-5 SUN. 9-5

All types of furniture and appliances available in our  
**6,000 SQ. FT. FLEA MARKET**  
**3 CASH PRIZES DAILY!**

WE BUY ALL GOOD HOUSEHOLD ITEMS INCLUDING TOOLS, FURNITURE & APPLIANCES

For information call

898-2818

JERRY YORK

York Insurance Agency

Auto • Life • Fire • Homeowners • Boat

Springhill Ctr. - Hwy 16  
Post Office Box 364  
Gig Harbor, Washington 98335

Office 858-9560  
Res. 857-6567



# At Home on the Range

by Janice McMillan

## PEANUT CLUSTERS

This recipe is from Marie Schwenda, and Med says these candies are hard to resist.

1 lb. vanilla almond bark, cut up (available at most large supermarkets, recently on sale at Payless)

1 lb. Nestle chocolate chips (about 2 cups)

6 cups Spanish red-skinned peanuts

Melt first two ingredients together, add peanuts, stir and drop by teaspoonsful onto wax paper and let cool. Store in covered container in refrigerator. Makes more than three pounds.

## AUNT BILL'S BROWN CANDY

This recipe is from Eve Fiegel and her friend Ed says that it is a great candy. The recipe is from the 1937 Oklahoma Times Cooking School Cook Book. Eve's

original recipe has lots of quaint directions and comments from Aunt Bill.

6 c. sugar  
2 c. whole milk  
1/4 lb. butter  
1/4 tsp. soda  
1 tsp. vanilla  
1 lb. nutmeats

Pour 2 c. sugar into heavy iron skillet and put on low heat, stir with wooden spoon constantly to prevent scorching. It will take approximately 30 min. to completely melt sugar and avoid scorching (do not let it smoke or turn dark). Cook until light brown. Pour remaining sugar and milk into large, deep, heavy kettle; cook over low heat while sugar is melting. When sugar is melted pour into hot, near boiling milk-sugar mixture. Keep on low heat, stirring constantly. The real secret is to pour a very thin stream of melted sugar into the milk mixture, stirring all the while. Continue until it forms a firm ball (245 deg.). After firm ball is reached turn off the heat and add soda, stir vigorously as it foams. Add butter and take off the stove, set in a cool place for 20 min. Then, add vanilla and begin to beat the mixture with a wooden spoon until it is thick,

heavy, and dull in appearance. Add the chopped nuts. Turn into a pan at least 1 inch deep and spread evenly and cut into squares. It keeps indefinitely and makes more than 3 lbs of candy.

I hope that you will try the recipe for your sweetie and have a Happy Valentine's Day.

## LINDA SCHMIDT

Linda Anne Schmidt, 16, died on January 8 in a Tacoma hospital as the result of injuries suffered in a traffic accident.

Born in Indianapolis, Ind., Schmidt had lived in the Gig Harbor area for five years.

She was a member of First Christian Church in Tacoma, Peninsula High School's Symphonic Band and Honor Society and was a student trainer in the school's athletic department. She also was a volunteer at Harrison Memorial Hospital in Bremerton.

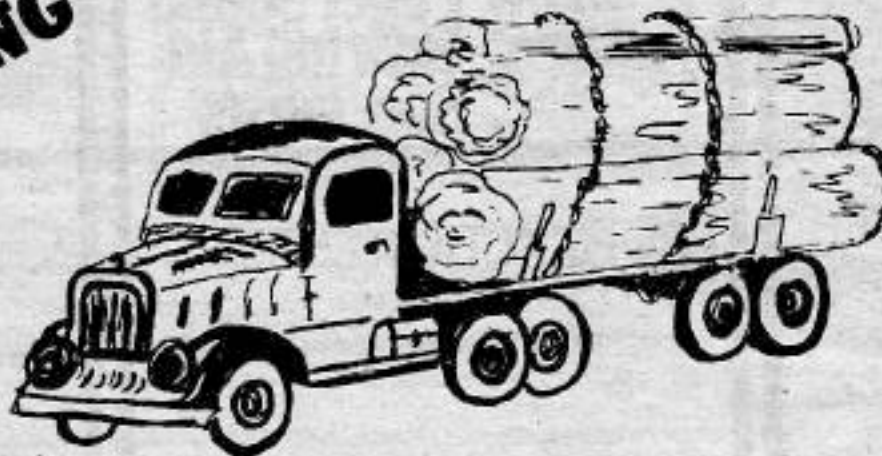
She is survived by her parents, Mr. and Mrs. Robert Schmidt of the home; brother, William of the home; sister, Kathryn of the home; and grandparents, Mrs. W.R. Schmidt of Louisville, Ky., and Mr. and Mrs. Lawrence Burdsall of Elnoro, Ind.

The family suggests remembrances be made to the Peninsula High School Band or First Christian Church in Tacoma.

# FIRE WOOD

**BULLDOZING**

**LOGGING**



**WE HAUL, YOU CUT**  
**4 - 5 CORDS PER LOAD**

**\$40.00 PER CORD**

**VAUGHN BAY LUMBER CO., INC.**

**884-3428**

**LOGGING**

**BULLDOZING**

# Restaurant Guide

by Larry Melsness, Guest Reviewer

The Home Port Restaurant is located in the middle of Home and has a nautical theme, which relates to the nearby Joe's Bay. Their large selection of dinners include steaks, seafoods, fish and chips, veal, halibut, salmon and a salad bar.

Recently, while at the Home Port for dinner with a friend, I ordered the fresh breaded veal cutlets with white cream sauce. The baked potato was on the cold side, the veal was of average quality but well prepared. My friend enjoyed the golden, deep fried prawns which were jumbo in size, along with french fries. The dinners included the salad bar which had fresh greens, various vegies to add, cottage cheese with fruit, a good homemade potato salad, four homemade dressings and several condiments.

For lunch, I would recommend their piping hot soups, fish and chips, hamburgers and homemade pies.

The lounge has been enlarged and redecorated in blue to carry out the nautical atmosphere. The drinks are reasonably priced. The Home Port is open from 7:00 a.m. Monday through Saturday to serve breakfast to hungry fishermen and

commuters (open at 8:00 a.m. on Sunday). Closing hours for dinner are: Monday-Thursday, 8:00 p.m.; Friday-Saturday, 9:30 p.m.; and Sunday 8:30 p.m. The lounge is open until 11:00 p.m. on week nights and 12:00 p.m. on weekends.

**CONCLUSIONS:** The service at the Home Port is excellent and very friendly and I would not hesitate to go back there. I know from once being in the restaurant business myself that, with support and honest criticism from the local residents, a "cozy" restaurant with excellent service and reasonable prices such as at Home Port will survive.

**RECOMMENDATION:** It would be nice to serve some hot dinner rolls or sourdough bread with the dinners. Also, crispy, stir-fried vegetables instead of fruit garnishes would be a plus for the dinners.

## NEW NURSERY CLASS

Connie Silva, President of the Longbranch Cooperative Nursery School announced that the school has added a new class for two to three year old children. This is in addition to the established class for four to five year olds. The new class will be taught by Maggie Oldenburg.

The Longbranch Nursery school is affiliated with the Tacoma-Pierce County Council of Cooperative Nursery Schools and is therefore

entitled to a variety of services which include: a parent education library, parent discussion groups, teacher in-service training, screenings and observations of children, and the unique Child Services Program.

The philosophy encompasses the total development of the child: intellectual, physical, emotional and social. The children meet new friends, learn to make decisions and develop independence, learn to identify and cope with feelings, and begin to discover the world around them through carefully selected experiences.

Parents gain a greater understanding of their children, meet new friends and have opportunities to share parenting experiences, and become a part of their child's preschool years.

For information call Maggie Oldenburg (884-3462)

## THANK YOU

The Key Peninsula Firefighters Association would like to extend a hearty thank you to the Key Peninsula Middle School for all the canned goods they collected and donated to our Christmas Baskets.

Key Peninsula Firefighters Association District 16

### S. J. Akins Construction

Sam Akins  
4819 Key Peninsula Hwy. So.  
Longbranch, WA 98351  
884-3522

NOW AVAILABLE!

**SMALLEST  
ALL-IN-THE-EAR  
HEARING AID  
EVER MADE!**

**FREE  
30-DAY  
TRIAL**

272-6321  
272-1700

Tacoma

Free at home  
testing

**Puget Sound  
Hearing Aid  
Specialists**

Tax Services  
Financial Statements

Auditing  
Bookkeeping

**KEY ACCOUNTING**  
Fran Kent, Accountant

6706 Key Peninsula Hwy. S  
Longbranch, WA 98351

Phone  
(206) 884-3862

**DANCING FOR JOY**  
Academy of Dance & Pre-School  
884-3241

**BALLET** **TAP**  
**MODERN** **JAZZ**

Dance Classes For All Ages,  
Also — Complete Pre-School

**BC BEACHCREST** REALTY, INC.

**BEV NAYER**  
SALES ASSOCIATE

GIG HARBOR 851-4051 TACOMA 272-5115 RES. 857-4692  
12904 STATE ROAD 16, P.O. BOX 917, GIG HARBOR, WA 98335

COMMERCIAL HEAT PUMPS COMMERCIAL  
AND DOMESTIC ELECTRIC FURNACES ICE MACHINES  
REFRIGERATION

**Port Orchard Refrigeration**

2887 HOOVER AVENUE S.E.  
PORT ORCHARD, WASHINGTON 98365

STEVE VAN VALKENBURG

876-5697



**KEY CENTER MEATS**  
"WE'D LOVE TO MEAT YOU"

**TIM CHAMBLIN**  
GENERAL MANAGER

DOWNTOWN KEY CENTER  
10329 PACIFIC AVE., TACOMA

884-4334  
535-2422



**DIET CENTER**

Westside Square  
3123-56th St. N.W. Suite 18 • Gig Harbor, WA 98335  
851-6103

University Place  
7025-27th St. W. Suite 2 • Tacoma, WA 98466  
565-1525

**The Country  
Mouse**

Gifts • Craft Supplies

Jim and Pat Blundell  
15916 84th St. KPN  
Lakeway, Wa. 98349  
(206) 884-2882

In the red barn S. of Key Center



# LAKEBAY LUMBER SUPPLY

**WE DELIVER**  
**OLD GROWTH DOUGLAS FIR**

## CONSTRUCTION SUPPLIES

### SPECIALS



- 6" Foundation Vents**..... EA. **\$2.90**
- 1/2" Rebar**..... Per Ft. **13¢**
- Foundation Coating**, 5 Gal..... **\$14.25**
- 6' — 4 x 4 Treated in Ground Use** ..... EA. **\$2.60**
- 2 x 4 Standard or Better Fir**..... Per Ft. **18¢**
- 6' — 4 x 4 Fir** ..... EA. **\$1.75**

**PLAN SERVICE AVAILABLE ©**  
**WE DO LUMBER TAKE OFFS**

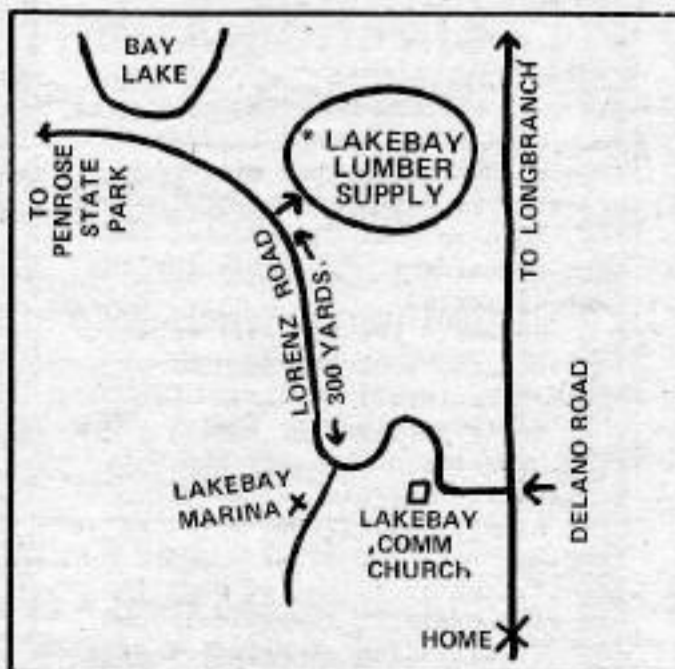
**HOURS: 8:00 a.m. to 7:00 p.m. — MONDAY THRU SATURDAY**  
**CLOSED SUNDAYS**

We carry all your  
 building needs.

*Ask For Our Low Prices On All*  
 Insulation  
 Sheet Rock  
 Dimensional Lumber  
 Doors  
 Roofing  
 Siding  
 Cedar Lumber

**P. O. Box 10**  
**Vaughn, WA.**  
**98394**

Phone  
**884-3086**  
 or  
**884-9211**



## TO HEAR OR NOT TO HEAR



JESSE WILLIAMS and TIMMY TRIPPLETT taking the hearing test

The Lions Club held a free hearing test in their mobile testing center the 7th and 14th of January.

As a mother of four children, I was concerned about my 4 year old's hearing. The last six months have been very trying. We have wondered what and how much he can actually hear. Some nights, when he is supposed to be asleep, we will hear him ask-"Who has the candy bar?" We are always surprised since the T.V. or radio is usually on pretty loud. I really began to question his hearing this last fall, so my neighbor and I decided to do spot checks on it.

My neighbor, Kathy, was driving up the street while Jesse was in the middle of it on his tricycle. She pulled up, noticing he was not moving out of her way. I saw her wave at him, and then start honking the car horn. She pulled up about ten feet away and stopped honking. I yelled at him to look behind him. He did and jumped about a mile. Kathy commented to me later that his face went white when he turned and saw her.

We began watching him closer and decided that, with the exception of the car incident, he was hearing selectively. I was still worried however, and when I heard about the Lions hearing test I decided to take him. Kathy, her daughter, myself, and Jesse all went to have our hearing checked. We arrived at the Hearing Test Center and there was a line, even with the cold wind. People stood patiently waiting their turn. We went in and took the test, which lasted seven minutes, divided equally between both ears. The traffic outside occasionally interfered, but we all made it through. Near the end of the test on my right ear I was sure I had a great hearing loss. I could barely hear the tones and distinguish them from the ringing in my ears. They told me my hearing was fine, but that they wanted to retest Jesse. They weren't sure he had understood their directions. I wasn't sure either since his left hand had kept appearing around the corner of my booth during the test, followed by his smiling face

and earphones. I tried explaining to him what to do, which ended up with him telling me what to do. He gives real good directions, so I left him alone for the next test, hoping he wouldn't dismantle the booth. I watched the chart they were making of his hearing from outside the door. He was doing better this test, but his high frequency hearing was still in question. I asked the attendant if this had any relation to the previous incident with the car, and he told me it could. High frequency hearing is usually the first to go.

The attendant also told me that most people who suspect they have a hearing problem wait about five years before having it checked, by which time it could be too late to correct. I will be taking Jesse in to Mary Bridge Hearing Center for further testing. I really don't want to take a chance with his ears.

The Lions Hearing Mobile checked 29 pairs of ears on the 7th and another 44 on the 14th. It is hoped that they will return to do it again. They were very excited about the response they had in this area. I would like to personally thank them for the time and care they spent with each person they checked.

## OBITUARIES

### BEN RAMSDELL

Life-long Lakebay resident Ben Ramsdell died on December 28, 1983. He was 70 years old.

Born on Fox Island, Ramsdell was a retired logger and a veteran of the Army.

He was a member of the Forty & Eight Chapter 25 of Portland, Oregon and the Veterans of Foreign Wars in Crescent City, California.

He is survived by four brothers, Ross of Tacoma, Clare of Vancouver, Chester of Cosmopolis, and Richard of Hoquiam; and a sister, Alice Caparas of San Diego, California.

Graveside services were held at Del Norte County Veterans Cemetery in Crescent City, California.

Buckley-King at Haven of Rest in Gig Harbor was in charge of arrangements.

### RAYMOND DE ROCHER

Long-time Lakebay resident Raymond Louis DeRocher died on December 29, 1983, at the age of 93.

Born in Monroe, DeRocher had been a resident of Lakebay for the past 45 years.

He was a retired self-employed mechanic and a charter member of the Key Peninsula Sportsman Club.

He is survived by two stepsons, F. J. Hawkins of Lakebay and C.L. Hawkins of Yoncalla, Oregon.

At his request, no services were held.

Remembrances may be made to the Fire District 16 medical fund.

Buckley-King at Haven of Rest in Gig Harbor was in charge of arrangements.

## LONGBRANCH CALENDAR

### LONGBRANCH CALENDAR

- February 1 - Ladies Aid, noon, Longbranch Church
- February 3 - Choir, 9:00 AM, Bell Ringers, 11:00 AM practice.
- February 5 - Chaplain Harry Soloos Service Longbranch Church.
- February 7 - VOTE - Improvement Hall.
- February 8 - Peninsula Neighbors, 10:30 AM, Longbranch Church
- February 10 - Choir, 9:00 AM, Bell Ringers, 11:00 AM.
- February 11 - Valentine Potluck, 5:00 PM, Grand Canyon Slides by Charles Snyder.
- February 12 - Chaplain Soloos, service Lincoln's Birthday.
- February 14 - Nutrition, Valentine lunch, noon, Longbranch Church.
- February 16 - Thursday, Choir 9:00 AM, Bell Ringers practice.
- February 17 - Bayshore Garden Club invites you. Berta Deming will speak on "Texture, Color Year Around in the Yard." 1:00 PM at the Longbranch Church. Bring a friend.
- February 19 - Reverend Ralph Smith, 11:00 AM service. Longbranch Church.
- February 24 - Choir 9:00 AM, Bell Ringers 11:00 AM.
- February 26 - Chaplain Tom Fukuyama 11:00 AM service, Longbranch Church.
- February 29 - Ruth Circle, 7:30 PM Longbranch Church.

### MILO CROOKS

Milo Alvaro Crooks of Lakebay died on December 31, 1983 at the age of 59. He lived in the Lakebay area for the past 20 years.

He was a veteran of World War II, serving in the Navy, and a retired maintenance mechanic for Boeing.

He is survived by his wife, Gloria; sons, Mark of Honolulu, Hawaii, and Milo II of Seattle; daughters, Kitten of Eugene, Oregon, Jana of Houston, Texas, and Teresa of Federal Way; mother, Gloria Sloat of Lakebay; and six grandchildren.

At his request, no services were held.

Remembrances may be sent to the Key Peninsula Action Agency, Fire District 16 and the Key Peninsula Health Clinic.

If the roses haven't been pruned do it quickly before they start to grow.

# LONGBRANCH MERCANTILE

FINE FOODS  
MEATS-PRODUCE-GROCERIES  
GAS-OIL-BEVERAGES

Mon.-Fri.: 6 a.m.-9 p.m.  
Sat. & Sun.: 8 a.m.-8 p.m. 884-3721

## L.E. Jopp Builders

- ★ Carpenter Work
- ★ Foundations
- ★ Bulkheads
- ★ Concrete Work etc.

**884-3841**

LICENSED & BONDED CALL COLLECT

## ALCOHOLICS ANONYMOUS

MEETINGS HELD AT KEY PENINSULA HEALTH CENTER.

Monday and Friday 8:00 p.m.  
Call Ann 884-2626  
Jim 884-4402



### Randy's Bulldozing

- 4 in One Bucket • Land Clearing • Stump Haul
- Excavating • Dump Truck • Roads Punched
- GENERAL DOZING •

RANDY NIMRICK  
HARRY NIMRICK

1-857-2625  
1-884-2590

Rt. 4, Box 4783-1  
Gig Harbor, WA 98335

BULLDOZING  
BACKHOE



GRAVEL AND FILL DIRT  
LOG BULKHEADS

Johnson Bulldozing Co.  
LAKEWAY, WASHINGTON 98349  
PHONE 884-2362

DAVE JOHNSON  
PHONE 884-3330

PHIL JOHNSON  
PHONE 884-2607



COMMERCIAL RESIDENTIAL  
ELECTRICAL INSTALLATION

P. O. BOX 69  
VAUGHN, WASH.



DON MILLS  
PH. 884-2511

### Bo-Mac Gravel Co.

1920 S.W. PINE RD.  
PORT ORCHARD, WA. 98366



OPEN SATURDAY

R. F. "MAC" McCLOSKEY  
PARTNER

876-2002  
857-4105



KEY CENTER MEATS  
"WE'D LOVE TO MEAT YOU"

TIM CHAMBLIN  
GENERAL MANAGER

DOWNTOWN KEY CENTER  
10329 PACIFIC AVE., TACOMA

884-4334  
535-2422

- \*BULLDOZING
- \*GRAVEL
- \*LAND CLEARING
- \*SUBDIVISIONS
- \*ROAD BUILDING
- \*DUMP TRUCK SERVICE
- \*UNDERGROUND UTILITIES

#AC-TI-VC-\*315PF



## ACTIVE CONSTRUCTION

P.O. Box 191 Gig Harbor, WA. 98335  
Bus. 851-4695 Eves. 884-2884

BOOKKEEPING, TAX SERVICE  
AND  
INCOME TAX SERVICE  
PERSONAL AND SMALL BUSINESS  
30 Years Experience — Notary Service

MYR-MAR  
ACCOUNTING SERVICE  
884-3566

Specializing in Custom Homes

## R & M ELECTRIC

RESIDENTIAL AND COMMERCIAL WIRING

MIKE NIEMANN  
884-3778

ROY DANFORTH  
884-2869

P. O. Box 48 • Burley, WA 98322

FAMILY DINING  
Overlooking Henderson Bay  
Homemade Pies and Cinnamon Rolls

## Pearl's by the sea

Tacoma-Bremerton Highway 16. Take  
Purdy Exit. CALL: 857-2241  
Mon.-Thurs. - 7:00 a.m. - 11 p.m.  
Fri.-Sat. - 7:00 a.m. - 2 a.m.  
Sunday - 9:00 a.m. - 11 p.m.

Vaughn  
Community  
Church



"The Chapel by the Sea"

"NEW TIMES"

1st Service — 8:30 a.m.  
Sunday School — 9:45 a.m.  
2nd Service — 11:00 a.m.

Pastor: Dick Bauer

884-2269 or 884-3540

Nursery Care Provided  
WORSHIP WITH US!

## Key Peninsula Lutheran Church

REV ED WAGNER

Key Peninsula Highway  
& Lackey Road

SUNDAY SCHOOL: 9:30am

WORSHIP SERVICE: 10:30am

## Longbranch Community Church

Worship: 11 a.m.

Longbranch, WA.



PENINSULA  
KEY & SECURITY  
Locksmith

851-9620

Shop Hours 9 am - 5 pm  
4107 Harborview Drive  
Gig Harbor, WA 98335

# HUCKLEBERRY INN

DOWNTOWN  
KEY CENTER  
884-3707

FAMOUS "MACON BACON"  
BREAKFAST

OPEN DAILY

## FEBRUARY BREAKFAST SPECIAL

MACON BACON OR SAUSAGE N' EGGS  
HASHBROWNS N'TOAST

**\$2.75**

Don't Forget Children's Breakfasts at \$1.25 Each

COUPON OFFER

**FREE**

**LARGE ICE CREAM CONE  
WITH ANY  
BREAKFAST, LUNCH OR DINNER**

Good Until Feb. 29, 1984

## LUNCHTIME YET?

by Russ Beckim

If it is noon, it is lunchtime for most of us. But if you happen to be a fireman and at noon you are fighting a fire out on Herron Road, lunchtime comes when you get the fire out and are once again back at the station.

If you are trained in CPR (cardio-pulmonary resuscitation) and at noon you are just leaving with a patient in an ambulance for Tacoma, lunchtime comes when you get back.

If one group gets back at 3:00 pm and another at 4 pm, lunch is at 3 pm for one group and at 4 pm for the other.

Likewise, bedtime comes for a fireman when his job is done. Many a time that is at 3, 4, or 5 in the morning when the firemen returns, grubby and soot-blackened, too bone-weary to hang up their gear or jump in the shower until they have just sat for awhile, perhaps sipping a Coke or a cup of coffee while strength and vigor returns.

The food and refreshments consumed at the fire station is paid for by the firemen themselves, not by tax dollars.

My very worst friend from beginning to end ..... was myself.

Kipling

THOUGHTS OF YOU  
BY Christa Beebe

Rising in the morning,  
sweeping the sandman away.  
I draw the drapes, gaze out the  
window, at the freshness of  
the day.  
Grateful to be alive, living with,  
the spirit within you.  
I am thankful to my Maker,  
that dreams can oft come true.  
I release my love within the house,  
and let it filter through to you.  
It slips around the corners,  
in and out, up and down.  
Can you feel it, as it flows  
through the walls, without  
a sound?  
I wonder as I watch you lying there,  
deep in your sleep.  
Can you feel my heart gain warmth,  
looking at you tenderly?  
They set aside a day each year,  
for lovers to show.  
Affection for each other,  
in a sense of tenderness.  
A simple card for you won't do,  
it can't express the care.  
I feel for you this special way,  
each day throughout the year!

Wisdom is patient with ignorance  
even as the teacher is patient  
with the child, knowing that  
maturity will come.

KURTIS V. GJERSTAD  
JEFFREY SWEET

A memorial service was held at 8:00 PM January 5, 1984 in the Peninsula High School auditorium for Kurtis V. Gjerstad and Jeffrey S. Sweet, who were killed in an automobile accident on December 31, 1983.

Gjerstad, 15, was born in Kelso and lived most of his life in Tacoma before moving to Longbranch three months ago. He was a freshman at Peninsula High School, active in the football and basketball teams.

He was a member of the Tacoma Eastside Boys' Club, Lakebay Community Church and the Lakebay Community Youth Group.

He is survived by parents, Gary V. Gjerstad of Tacoma and Harold and Elaine Forch of Longbranch; brother, Devin of Longbranch; sister, Kristian of Tacoma; stepbrother, Hal Forch of the Army in Germany; step-sister, Susannah Forch of Tacoma; grandparents, Jack and Henrietta Ritts of Shelton, Charles and Shirley Payton of Tacoma, Gil Wilber of Tacoma and Vernon and Marcia Gjerstad of Tacoma; and great-grandparents, Ernie Payton and Clara Groff, both of Tacoma.

Graveside services were held at Mt. View Memorial Park.

cont'd on page 23

# FIRE DISTRICT 3rd IN STATE



FIREMAN JOHN SCHMIDT HOLDING  
THIRD PLACE TROPHY

by Hugh McMillan

At the Awards Banquet of the Washington Fire Commissioners' Association on 21 October 1983, your Key Peninsula Fire Department was declared third best for excellence in class A fire districts throughout the state. That is a very substantial honor and serves to demonstrate to the whole state what we citizens of Key Peninsula have long been confident of: we have a great Fire Department. Of particular interest is the fact that only one quarter of one point separated the first place from the third place award winners in the annual competition. Last year, your Department received the fourth place honor.

There are 411 Fire Districts in the State, all of which are eligible to compete for the trophies. The Districts are rated as Class A (those which provide protection to properties assessed at \$175 million or more), Class B (those below \$175 million, but greater than \$50 million), and class C (those of \$50 million or less). The 48 volunteers and six paid staff members of Key Peninsula Fire Department provide protection to more than \$271 million of assessed property valuation, which puts our Department in Class A. Winning districts are evaluated on their responsiveness to their community needs via Department sponsored fire prevention programs fire suppression, emergency medical services, the Department's training programs, its conduct of public relations, and a variety of other methods through which the Department is involved in community support.

Other winning Districts were:

- Class A: 1. Vancouver  
2. Kitsap County  
District 15, Bremerton  
\*3. Key Peninsula  
4. Silverlake (Everett)  
5. Gig Harbor

That puts our Key Peninsula Fire Department in with some very fine company. The Department wants to thank everyone in our community for the tremendous

support you've given us. Without that, our receipt of this honor would not have been possible.

cont'd from page 22

Sweet, 17, was born in Lakewood and lived in Longbranch for the past nine years. The Peninsula High School senior was involved with the school's symphonic and jazz bands.

He was a missionary in Spain during the summer of 1982 with Teen Missions and worked part-time as a busboy for the Home Port Restaurant.

He was a member of the Lakebay Community Church, a participant with Boys' State in June 1983 and is listed in "Who's Who in American High School Students."

He is survived by his parents, Steve and D. Lynne Sweet; sister, Tanya; grandparents, Mr. and Mrs. Robert E. Sweet and Pastor and Mrs. David Stewart, both of Lakewood; great-grandparents, Mr. and Mrs. Homer Sweet of Lakewood and Myrtle Slining of Puyallup.

The families suggest remembrances be made to the Lakebay Community Church building fund.

Mt. View Funeral Home was in charge of arrangements.

The human race can only be improved by improving the individuals in it. One individual improved improves the whole race. An individual can only be improved by himself, thus each individual can improve the

## Valley Supply Co-op now has "Jeans & Overalls"!! with a full range of sizes and a Special Introductory Offer...

**key QUALITY**

**DENIM BIB OVERALL**

- Heavy weight 100% Sanforized Cotton
- Triple-stitched seams
- Double bottom pockets
- Rust proof hardware

**\$19<sup>95</sup>**

**key QUALITY**

**WESTERN BOOT JEAN**

- 14 oz. 100% Cotton Denim
- Key-Set, washes wrinkle-free
- Distinctive stitching
- Scoop front pockets
- Rear patch pockets

**\$12<sup>95</sup>**

**key QUALITY**

**HICKORY STRIPE BIB OVERALL**

- 100% Cotton—deep blue and white stripes
- Triple stitch seams
- Hi-Back suspenders
- Rust-proof hardware

**\$19<sup>95</sup>**



**VALLEY SUPPLY CO-OP**

P.O. BOX 23 • BURLEY, WA 98322



(206) 851-4441

**PURDY STORE**

(800) 542-8209

## LETTERS FROM OUR READERS

The editor likes to get letters from the readers, so write to us.

Due to space limitation, we ask that all letters be no longer than 200 words. Letters in excess of 200 words will be edited.

All letters must be signed and include an address and phone number so authorship can be verified.

The Editor

To The Editor:

I was appalled to read the Philosophy Corner in the January issue of the Newsletter. I received several phone calls from persons who were offended and who knew that I was on the Civic Center Board. I believe the philosopher has a right to his opinion but I do not feel that this has a place in our paper. If you wish to speak on philosophy, please keep to issues like truth, justice, etc. I also do not think it wise to have such a column when it is written without the author's name - are you ashamed of your views? I think it only right for persons who disagree that they have a right to know with whom they are speaking. Please see to it in the future that you keep out of religion and stick to subjects which are not a part of our personal life in such a way.

I quote from your story (and I use that word in its strictest sense), "The basis for that assumption (your spelling!) was the exclamation of a drunken wine master." Nowhere does it say that in the Bible and it is only an assumption on your part. Jesus did not invoke a power from outside -- He had the power as the Son of God to do such things. The Bible does not always present things in a logical form for us to be able to logically prove all the things by our finite minds.

Mrs. Edward Wagner

To the Editor:

The last thing this area needs is a group of people trying to make their new-found home exclusively the way they want it. A lot of recent residents of this peninsula found it to be a beautiful place to live and they would like to have it rezoned so that no one else can do as they did. The prospect of them being successful in this endeavor is, at the very best, years away, and more probably, nonexistent. Nothing can happen without going through the county council and executive branch, and nothing will happen because of that.

The rezoning proposed is designed to arrest growth, to attempt to exclude any other persons from joining our community, except at great expense. That in itself is

discriminatory and fodder for the courts, but that is only the tip of the iceberg. More importantly, any property owner or group of owners would have the right to sue everyone involved for triple damages caused to them from any rezoning. The rest of the county simply could not afford that.

Clarke M. White  
Macon Bacon

LETTER TO THE EDITOR:

During the week preceding Christmas and the week preceding New Years when most families were decorating homes for the holidays and when women were baking endless trays and pans of cookies and fruitcake, two faithful women, Shirley Sorenson and Margot Wendolsky, spent their private hours, even over weekends, unloading, storing and distributing frozen turkeys and groceries to the jobless and disadvantaged people of the Key Peninsula.

Freezing weather and slippery roads and driveways kept all but a few volunteers from coming to the aid of Shirley and Margot at the Key Peninsula Community Services Food Bank, who also took delivery of an entire truckload of government commodities, unloading the cheese and powdered milk and butter in icy temperatures. They both discovered in the process that skin on the hands tends to stick to frozen wrappers when the temperature hovers around 15 degrees!

Besides Shirley and Margot, volunteers Marguerite Buzgard, Sean Taylor, Allen Taylor, Fred Moon, Clem Kurz, Barbara Nimrick, Linda Hubbard, Robert Schultz, Rosemarie Arnold, Mary Workman,

Rhys Wood, and Tom Karnis also helped with the huge project of preparing 67 Christmas baskets and signing out federal commodities - during weather that typically makes Peninsula roads a hazard.

Thank you all for your unselfish dedication. Thank you, Shirley and Margot, for completing an impossible job under sub-freezing conditions in time to ensure nourishing and delicious dinners during the holidays for families in real need. What would we ever do without you both?

Joyce Case  
Secretary, Key Peninsula  
Community Services

Answer:  
Blundell's Longbranch Chowder House.  
The Bacon is twice as thick as most grocery store bacon.

## ACTION VALENTINE

by Julienne Field Coldeen

The greeting card publishers and monthly magazines are quick to remind us that February is the month for lovers. We're showered with images of romantic love and the "proper" ways to express our feelings to our spouse/lover. I'm a romantic by nature, among the first to jump at any chance (calendar-created or otherwise) to show my husband I love him. What a great excuse for a candlelight dinner! But romantic or spousal or boy/girl or whatever-you-want-to-call-it, love isn't the only expression of love. We have other relationships that could use a little interjection of love, too. You know: caring, concern, putting others before yourself.

Why don't we make February 1984 the month of "action Valentines?" Look around you at the people, the characters on your life stage. With some consideration, you ought to be able to come up with things you can do for those you interact with-- an Action Valentine. These Valentines could be as simple an act as leaving a "Thanks a Lot" note for the mail carrier to involving as much commitment as babysitting for your neighbor every Friday night.

What makes an Action Valentine work is the thought you put into it. What does the person you have in mind really want or need? You have to get to know a person to do this. You have to listen, to be aware of what they're feeling rather than just trying to make yourself heard.

This may take some mental and maybe even some emotional gymnastics. All I can say is, "Don't knock it til' you've tried it." Getting outside yourself, pouring a little love into the lives of those you rub up against each day is wonderful exercise. You may be surprised to discover you have more love than you know what to do with. You have to give it away.

So, what do you say? Three cheers for the "month of love." I expect to see a lot of Action Valentines in progress out there!

## ENERGY ASSISTANCE

Applications now being taken for low-income households in the county. Call in advance for appointments at 884-4440 between 10 am and 2 pm. Apply soon: We can help only as long as funding lasts.

Government surplus food also will be distributed the last Wednesday of each month at the Civic Center in Vaughn by the Key Peninsula Community Services.



## MORE LETTERS

Dear Mrs. McMillan:

You don't know us at all, but we wanted to tell you how sorry we were to read about your husband's terrible accident in the Key Peninsula Newsletter. We hope, with your help, that he recovers soon. Please tell him he's in our prayers.

I'd been meaning to write and thank you for your contribution to the paper. We've only been in this area five years and have had problems finding pleasant dining spots so you've helped us. Also we want to try the Amtrack trip but this kind of weather doesn't lend itself to looking out train windows or going for long walks down at that wonderful-sounding hotel.

We certainly agree with your thoughts on the "Harvester".

If you ever write on restaurants in Tacoma, try Grazie, down near the waterfront. Delightful.

Thanks again.

Lee & Jack Moore

# MINUTES OF THE KPCC BOARD MEETING

The regular meeting of the Civic Center Board was called to order at 7:30 PM by president Mike Salatino. Thirty-seven persons were present. The minutes of the previous meeting were approved as published. The treasurer's report was accepted. The new area representative from Lake Holiday, Tony Trotter, was introduced. It was noted that the February meeting will have as a priority to choose reps from areas which are vacant.

**OLD BUSINESS:** It was noted that the new rules for skating have brought few complaints from the young people but there was considerable objections to some by members of the Board. They are to bring their complaints to the managers and the committee will consider them. Lenore reported that Bingo has lost money in the past quarter but noted that it usually picks up during the summer and hopes to continue since we have materials to do so. The executive committee will consider this at their February meeting and bring a recommendation to the Board.

There was a request for all kinds of help from the Newsletter and it was noted that we are able to pay some obligations to the Center. The Upper Sound Grange requested a clarification of their rate schedule for this new year and were satisfied with the explanation given them. In this regard, it was noted that all groups which have membership in the Center are required to have a fund raiser during the year and that this is to be arranged with the Executive Committee. For this reason, it is important for

DEAR EDITOR:

In the January issue I enjoyed Marie Brown's "Graphoanalysis" and "Looking Back: by ? I think Hugh McMillan's "Survival Underwater" is very valuable. I know, also, that my husband enjoyed reading the profiles of the new KPCC Association Officers. Keep up the good work!

Julienne Field Coldeen

**Editors Note:** The "Looking Back:" item was by Henry Stock. We inadvertently omitted the credit.

Dear Mr. Beckim:

I agree entirely with the letter of Jeanine and Peter Johnson regarding the 100 year commemorative sign of the Lakebay Post Office which is situated within the confines of Home. It is extremely confusing to anyone trying to find Home, much less, Lakebay. Yet this incongruous fact remains.

In answer to the question raised by the Johnsons, as to "how much longer do we have to tolerate that sign guaranteed to confuse visitors?" let me say this would be a good time for Home people to write their views on the matter to Mr. David H. Scheels, MSC Director, Customer Service, United States Post Office, 4001 South Pine, Tacoma, Wa, 98405, because in about four months enlarging and remodeling of the Post Office will begin. Someone to coordinate the movement for the relocation of a commemorative sign and/or possible a new home for the Post Office would be very useful.

The intrusion of the name Lakebay in the community of Home has gone far enough; it has been a continuing effort to destroy the heritage of this historic community.

Madeleine Bruenner

The only real authority is truth. Don't teach as truth that which you cannot prove to be truth.

groups to have their reps at Board meetings so that they know what is going on and the problems faced by the Board.

The New Year's Eve Dance cleared over \$1,000. Next year it is planned to have a 14 piece band and Don Palmer is negotiating with them on the contract. The rest rooms will have the walls completely done in a new product. The Park Board will be asked to provide the materials and we will have a work party. There was a motion to hire a carpenter to do the work but the motion was defeated as it was pointed out that we would also have to hire an electrician and a plumber and the cost would be prohibitive. February 11 is tentatively set for a work party to do the job and it is hoped that anyone with skills in the above fields would contact either Mike Salatino or Neil Boger.

Reno night is scheduled for April 7 and Tom Van Slyke is the chairman. All who would like to participate are asked to call him. Henry and Eleanor Stock will be in charge of the raffle and will have a half beef. It was noted that the patron program had netted the Center over \$1,000 with many contributions still coming in. There will be further publicity in the Newsletter. Pioneer Days will be August 11 and 12. Don Palmer is in charge of finding a band for the dance; Rhys Wood is in charge of the dinner which will be baron of beef; and the Stocks emphasized that there will be both old favorites and new items for all who

attend.

**NEW BUSINESS:** The recommendation of the Executive Committee that we search for a concessionaire for events such as Bingo and possibly others was tabled until the next meeting when we will know more about what will happen to Bingo.

The recommendation of the executive committee that we create the position of public relations director to see that items are properly publicized and that letters and brochures be sent to groups in the surrounding areas, telling them of our facilities and the availability for rental for group functions, was passed.

Fund raising ideas were discussed and it was noted that if anyone in the community has any new ideas for fundraising for the Center to take the place of the loss of revenue from the failure of the M & O levy, they should give the idea to any Board member.

It was MSC to authorize \$75 for an ad in the special Gateway bridal edition. It was noted that there is a possibility in the change of the fireworks law and all are to keep abreast of this as it is a money-maker for the Center.

The meeting adjourned at 9:30 p.m.

Marian Wagner,  
Acting Secretary

Everyone is responsible for his own actions, and he should be held to it.

**W**HEN Mother Nature's cantankerous elves huff, puff and dump snow on the area, it causes inconveniences, damage and creates many dangerous conditions. We are undoubtedly going to experience more storms in the days ahead.

Following are safety precautions to keep in mind when lines are downed, trees blown across wires and other unforeseen conditions arise.

Remember: Electricity brings many conveniences to Peninsula homes. *And electricity can also kill.*

# Beware of Downed Wires

**PLEASE** take the following precautions:

- 1.** CALL Peninsula Light, 858-8141 and 884-2215, and report downed wires, broken poles, trees across lines. Be patient. Four telephone lines are in the emergency headquarters where experienced personnel record and locate the danger areas.
- 2.** REPORT the specific location of downed wires and poles. Be brief. Give street, house number or identifiable landmark (near school, church, road intersection, etc.). Repair crews will be dispatched.
- 3.** STAND BY and enlist assistance to keep others away from downed wires. Stress the danger. Downed wires can carry up to 12,500 volts, and can kill.
- 4.** DO NOT go near or try to move wires. A wire on the ground may carry sufficient voltage to cause death. Leave the handling of downed wire to experienced crews.
- 5.** BE PATIENT. Keep children inside. Keep pets tied up or in the house.
- 6.** DOWNED WIRES are deceitful—they may be "hot" or they may be dead. Do not experiment. It requires technical experience, knowledgeability of the system, to determine safety.
- 7.** EDUCATE CHILDREN as to the hidden dangers of downed electrical wires.
- 8.** CONTROL YOUR CURIOSITY and do not explore the neighborhood to see the storm damage. The safety of your home is a good place to stay.
- 9.** LISTEN to your battery-operated radio for news of the storm damage.

**ABOVE ALL THINGS. . .**

**DO NOT touch wires.**

**DO NOT roll up downed wires.**

**DO NOT cut trees away from wires.**

**DO NOT make storm inspection trips.**

**WAIT for "all clear" from repair crew.**



**Peninsula Light Company**

Member owned since 1926

# EARLY BUSINESS IN HOME

by Sylvia Retherford

Five newspapers were published in Home beginning in March 1897 with the "New Era," edited and published by O.A. Verity, one of Home's founders. A new arrival, Charles Govan, took it over and with the name changed to "Discontent, Mother of Progress," published until taken to court for inciting to disobey the law. "Discontent" was ordered out of print by the court so Govan began publication of its offspring, "The Demonstrator," in 1904. Following the squelching of that inflammatory publication, Jay Fox edited and printed the "Agitator" in 1911. All of these papers carried some local news but primarily consisted of editorial comment on the philosophy of social unrest, the progress of the utopian experiment of Home and news of social ferment in the United States and other parts of the world. These people were intellectuals and their writing was persuasive. In the 30's after Home's exciting days were over, Mr. Ely, a printer, moved his presses into Haiman's Barbershop's back room where he published a local paper for a number of years. No copies of it are available and its title has been forgotten. Files of the earlier publications are available in the archives of University of Washington Library.

On February 21, 1901, Home was granted a post office and it was given a small room in the King house with E.C. Miles as postmaster. About a year later, Mattie Penhallow Burns became postmistress, transferring the office to her home at 5th and A Streets (now Workman's) on the waterfront.

The postal department was under pressure to stop Home's mailing of its publications carrying the message nationwide of social unrest, political dissidence and "free thinking" philosophies of religion and sex. Mrs. Waisbrooker, a women's rights agitator from Chicago, was arrested following the mailing of her publication "Clothed With The Sun," containing an article on avoidance of venereal disease. She and the postmistress, Mattie, were tried in Federal Court in Tacoma for sending "obscene materials" through the mails. Mrs. Waisbrooker, over 70 years old, was convicted and the judge reluctantly fined her \$100 while Mrs. Penhallow-Burns' fine was waived.

On September 6, 1901, President McKinley was assassinated by Leon Czolgosz, an affirmed anarchist. Home's anarchists were strictly nonviolent individualists and

although they did not approve of McKinley's policies, they condemned his assassination as "wanton and useless" having no sympathy with the crime. However, Tacoma Ledger editors and some ministers from their pulpits drew public conclusions that Czolgosz had some connection with Home. This was proved false in the subsequent trial; however, the damage had been done. Following all this lurid publicity, feelings ran high, so when an editorial in the Ledger further inflamed Tacomans against Home's residents, it was an easy matter to decide that Home did not deserve a post office. On April 30, 1903, the Federal Postal Authorities closed the Home Post Office on trumped-up charges. Thus a whole community was punished for the supposed acts of a few. In 1953 the Lakebay Post Office was moved to Home without changing its name.

finis

**\$1000 REWARD**

FOR INFORMATION LEADING TO THE ARREST AND CONVICTION OF THE PERSON OR PERSONS RESPONSIBLE FOR MALICIOUS DAMAGE(ALL WINDOWS BROKEN) AT 7209 KEY PEN. HYW. N. RED HOUSE ONE MILE SO. OF KEY CENTER. DAMAGE WAS DONE ON JAN. 11, 1984. ALL INFORMATION KEPT CONFIDENTIAL. CONTACT KEY PENINSULA NEWSLETTER WITH INFORMATION P.O. BOX 3, VAUGHN, WA. 98394.

Cost of Ads  
10¢ a word

# CLASSIFIED ADS

ADS DUE BY  
15th of Month

884-3456  
P.O. Box 3  
Vaughn, WA 98394

'76 CHEVETTE SPORTS MODEL. Perfect condition. New tires and tune-up, cassette. All receipts. Good M.P.G. \$1,800. 884-4245.

FLOOR COVERINGS INSTALLED:

Carpet, linoleum, tile, parquet, ceramics. Orrie Moore, 884-3852.

LOVING MOM lives in Vaughn, will babysit in my home. 884-9332.

LIVE-IN-SINGLE OR COUPLE - to help with house and semi-invalid husband. Must have valid drivers license and good driving record. Room, board and salary. 884-3949.

LAKE HOLIDAY small 3 bedroom, 4 years old. Fireplace, storage room, carport, tennis, golf, lake, clubhouse. \$350 plus dues monthly. \$200 deposit and references. One year rental agreement. 857-7176.

FOR SALE: Large circulator heater. Good condition. 3 years use. \$300. 884-3389.

MATH TUTORING: all levels. 884-2345.

\*\*\*\*\*  
THERE WILL BE A 50 CENT CHARGE ADDED TO THE COST OF EVERY CLASSIFIED AD THAT IS NOT PAID FOR BY THE TIME OF PUBLICATION.  
\*\*\*\*\*

BUD'S OF LAKEBAY: T.V. repair & Tree Top Antennas and installation. Fast, dependable service. Lakebay 884-2217.

CARPETS CLEANED BEAUTIFULLY. Von Schrader Extractor used. Dry, sopsless suds insure perfect cleaning of all types of carpeting. All work guaranteed. Use carpets the same day. Call for free estimate. Myr-Mar Carpet Cleaners, 884-3566.

LONGBRANCH CO-OP PRE-SCHOOL. Now is a great time to start!!! Be a part of your child's pre-school years and make new friends. A variety of experiences to help your child grow physically, intellectually, emotionally, and socially. for more information call Maggie at 884-3462.

FOR SALE: '75 Olds Salon, \$2150. '56 Rambler Custom Cont. Kit \$1800. 21' Glass Ply cabin cruiser, galvanized trailer, winch, loaded \$6800. 884-2061.

FLO'S GIFT SHOP. Crocheted gifts and misc. Closed Thurs. 10-6 Friday - Wednesday. Lakebay, 884-2480.

AEROBICS CLASSES: The Civic Center in Vaughn, Mon.9-10 AM, 6-7 PM, Wed. 9-10 Am, Thurs. 6-7 PM,GR., Fri.9-10 AM. All ages and abilities. Babysitting available for a nominal fee. 884-3642 for further information.

ARABIAN STALLION AT STUD, horses boarded, hay for sale. GAMBREL FARM. 884-4310.

WATKINS PRODUCTS now available on Key Peninsula. Call Marvin or Myrtle Kiezure, 884-3566.

ANIMAL CENTER AND FEED STORE: All kinds of livestock, calves, horses, poultry, rabbits, pigs, also featuring Farm Zoo. 3 miles south of Key Center on the Longbranch Highway.

AL-ANOM help for families of Alcoholics. Key Center Clinic. Friday 8:00 PM. Bea, 884-4133 or Tina, 884-3391.



# KEY PENINSULA CIVIC CENTER EVENTS FEBRUARY 1984



SUNDAY	MONDAY	TUESDAY	WEDNESDAY	THURSDAY	FRIDAY	SATURDAY	
<b>VALENTINE'S DAY</b>			1 Aerobics 9-10 Am Modified Aerobics 10:15-11 AM Brownies 3:45 Aerobics 6-7 PM FUN NITE 7:30 Gym	2 Seniors 12-4 Gym Aerobics 6-7 GR Karate 6-8 Gym Cub Scouts Pac Meeting 7:15 pm. Park Board 7:30 pm. Aerobics 6-7 PM	3 Aerobics 9-10 AM Modified 10:15-11 AM Grange 7-9 PM Skating 6-9:30	4	
5	6 Aerobics 9-10 AM Modified 10:15-11 AM Square Dance 7-10 pm V.F.W. 8 PM V.F.W. Aux. 8 pm(Gr) Aerobics 6-7 PM	7 Bridge 7:30 Pm(GR) KPCC Exec Comm. 7:30 Scouts T 213 7:15 Karate 6-8 PM Gym Volleyball 8-10 Pm Vaughn Christian Sch. 1:45 - 2:45 pm.	8 Brownies 3:45 SR Aerobics 9-10 Am FUN NIGHT 7:30 GYM Aerobics 6-7 PM	9 Seniors 12-4 GR Aerobics 6-7 PM GR Karate 6-8 GYM KPCC Board 7:30 PM Vaughn Christian Sch 1:45- 2:45	10 Aerobics 9-10 AM Modified 10:15-11 AM Skating 6-9:30	11 Lake Minter Wood Beach Club VFW 8-10 PM.	
12 <b>LINCOLN'S BIRTHDAY</b>	13 Aerobics 9-10 Am Modified 10:15-11 AM Square Dance 7-10 Aerobics 6-7 PM	14 <b>VALENTINE'S DAY</b> Bridge 7:30 GR Vaughn Christian Sch. 1:45- 2:45 PM Scouts 7:15 PM	15 Aerobics 9-10 AM. Brownies 3:45 SR FUN NIGHT 7:30 PM Aerobic 6-7 PM.	16 Senior 12-4 GR Karate 6-8 PM Cootiettes 7-11 GR Aerobics 6-7 PM Vaughn Christian Sch. 1:45- 2:45	17 Aerobics 9-10 AM Modified 10:15-11 AM Skating 6-9:30	18 Square Dance 7:30- 11:30	
19	20 Aerobics 9-10 AM Modified Aerobics 10:15-11 Am Square Dance 7-10 PM <b>Washington's Birthday</b>	21 Bridge 7:30 Pm GR Scouts T 213 7:15 Pm Karate 6-8 PM GYM Volleyball 8-10 PM Vaughn Christian Sch. 1:45-2:45	22 Aerobics 9-10 Am. Modified 10:15-11 AM. Brownies 3:45 SR FUN NIGHT Aerobics 6-7 PM	23 Energy Assistance G.R. 7 PM Chemical People 7:30 GYM Seniors 12-4 GR Vaughn Christian Sch. 1:45- 2:45 Aerobics 6-7 PM	24 Aerobics 9-10 AM Modified 10:15-11 AM Skating 6-9:30 GYM	25 Twilight Dance Club 6-2 PM	
26	27 Aerobics 9-10 Modified 10:15-11 AM Square Dance 7-10 Aerobics 6-7 PM	28 Bridge 7:30 PM GR Scouts 7:15 PM Vaughn Christian Sch. 1:45 - 2:45 Karate 6-8 PM Volleyball 8-10	29 Aerobics 9-10 Am Modified Aerobics 10:15-11 AM Brownies 3:45 Aerobics 6-7 PM FUN NITE 7:30 Gym	<b>GALS! POP THE QUESTION... IT'S LEAP YEAR</b>			